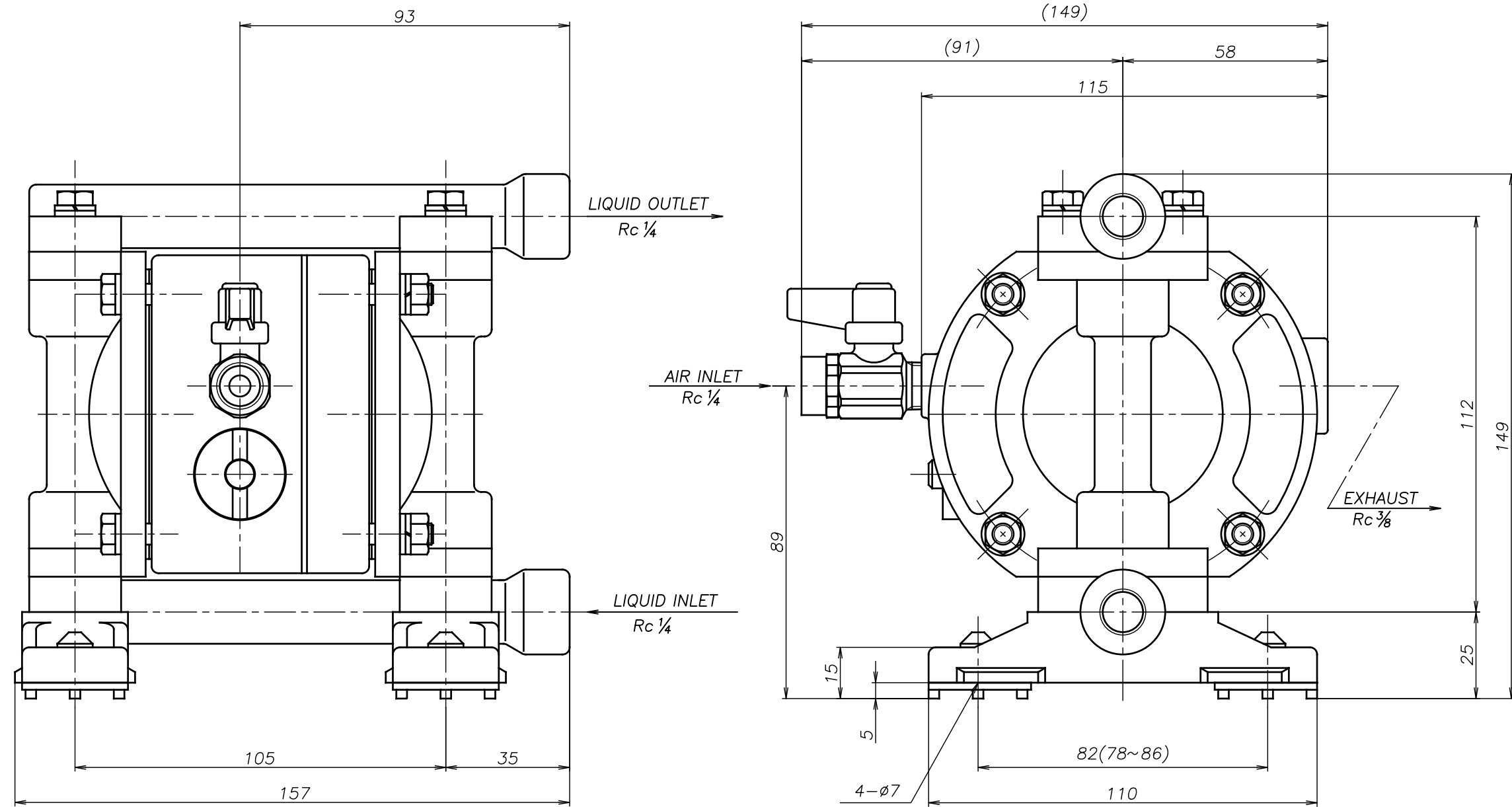


SYM	DWG.NO	CHANGE NO	DATE	REV'D BY
/	1C00024YP-A	1CE0014	'15. 4. 8	K.Nakada
/	1C00024YP-B	1CE0030	'18. 3.19	K.Nakada



APP'D BY	'18. 3.19 S.Murata	THE DWG. OF:	ダイアフラムポンプアSEMBリ
CHECKED BY	'18. 3.19 K.Nakano	DIAPHRAGM PUMP ASSEMBLY	
DRAWN BY	'18. 3.19 K.Nakada	TC-X050AT	
YTS Co., Ltd JAPAN		THIRD ANG. PROJ.	DWG.NO.
		SCALE Free	1C00024YP-B