

TC-X

Exploded View Drawing and Parts List

Model: **CF-X10PCN**

Model Number: **1D00133MN**

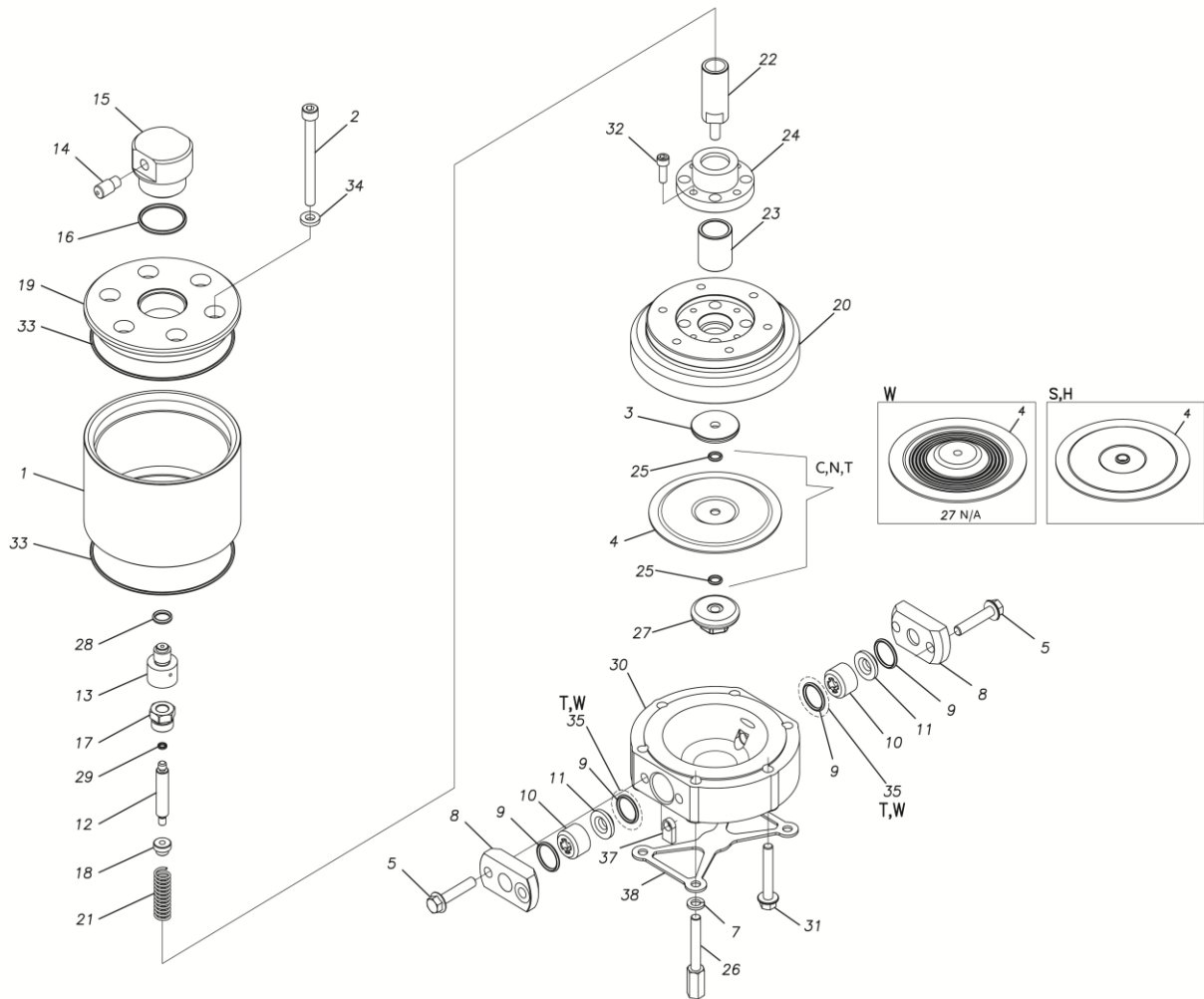
The part list and exploded view drawing as attached below indicate the full list of parts for the above mentioned pump model.

When ordering parts take care to select the correct model pump and required parts. Also be aware that models may change over time as improvements are made so cross-referencing the pumps serial number assembly date and service code are also recommended.

If you require specific spare parts you can also use this form to place your order.

For more information specific to your pump please refer to the pumps Service Book and Operation Manual available separately.

Please contact your Pump Distributor directly for more information.



■ Parts List

CF-X10PCN

1D00133MN

| Ref.No. | Parts No. | Description | Parts Component | Remark |
|---------|-----------|-----------------------|-----------------|--------|
| 1 | 1D30051MM | AIR CHAMBER | 1 | |
| 2 | 9B3220885 | BOLT M8 × 85 | 6 | |
| 3 | 1E20024AM | CENTER DISK | 1 | |
| 4 | 1D20018NB | DIAPHRAGM | 1 | |
| 5 | 9B2210840 | BOLT M8 × 40 | 4 | |
| 7 | 9W2210800 | SPRING LOCK WASHER M8 | 4 | |
| 8 | 1D20053PN | FLANGE | 2 | |
| 9 | 9S1BP0021 | O RING P-21 | 4 | |
| 10 | 1D20027PB | VALVE STOPPER | 2 | |
| 11 | 1D20029PM | VALVE SEAT | 2 | |
| 12 | 1D30053MM | VALVE | 1 | |
| 13 | 1D30054MM | VALVE SEAT | 1 | |
| 14 | 1D90004MN | SILENCER | 1 | |
| 15 | 1D10018MN | VALVE ASSEMBLY | 1 | |
| 16 | 9S1BG0035 | O RING G-35 | 1 | |
| 17 | 1D30055MM | STOPPER CENTER ROD | 1 | |
| 18 | 1D30056MM | STOPPER VALVE | 1 | |
| 19 | 1D30057MM | AIR CHAMBER UPPER | 1 | |
| 20 | 1D30058MM | AIR CHAMBER LOWER | 1 | |
| 21 | 1D30059MM | SPRING | 1 | |
| 22 | 1D20048MM | CENTER ROD | 1 | |
| 23 | 1D30060MM | BEARING CENTER ROD | 1 | |
| 24 | 1D30061MM | CASE BEARING | 1 | |
| 25 | 9S1BP0008 | O RING P-8 | 2 | |

| Ref.No. | Parts No. | Description | Parts Component | Remark |
|---------|-----------|---------------------|-----------------|--------|
| 26 | 1D30062MM | STUD | 4 | |
| 27 | 1D20028PM | CENTER DISK | 1 | |
| 28 | 9S1BP0012 | O RING P-12 | 1 | |
| 29 | 9S1B90008 | O RING P-4 | 1 | |
| 30 | 1D20069PB | OUT CHAMBER | 1 | |
| 31 | 9B2210850 | BOLT M8 × 50 | 2 | |
| 32 | 9B3410618 | BOLT M6 × 18 | 4 | |
| 33 | 9S1BG0115 | O RING G-115 | 2 | |
| 34 | 1D30077MB | SEAL WASHER | 6 | |
| 37 | 1D30022MM | NAT OUT CHAMBER | 4 | |
| 38 | 1D30114MM | REINFORCEMENT PLATE | 1 | |