

TC-X

Exploded View Drawing and Parts List

Model: **CF-X10HTN**

Model Number: **1D00113MN**

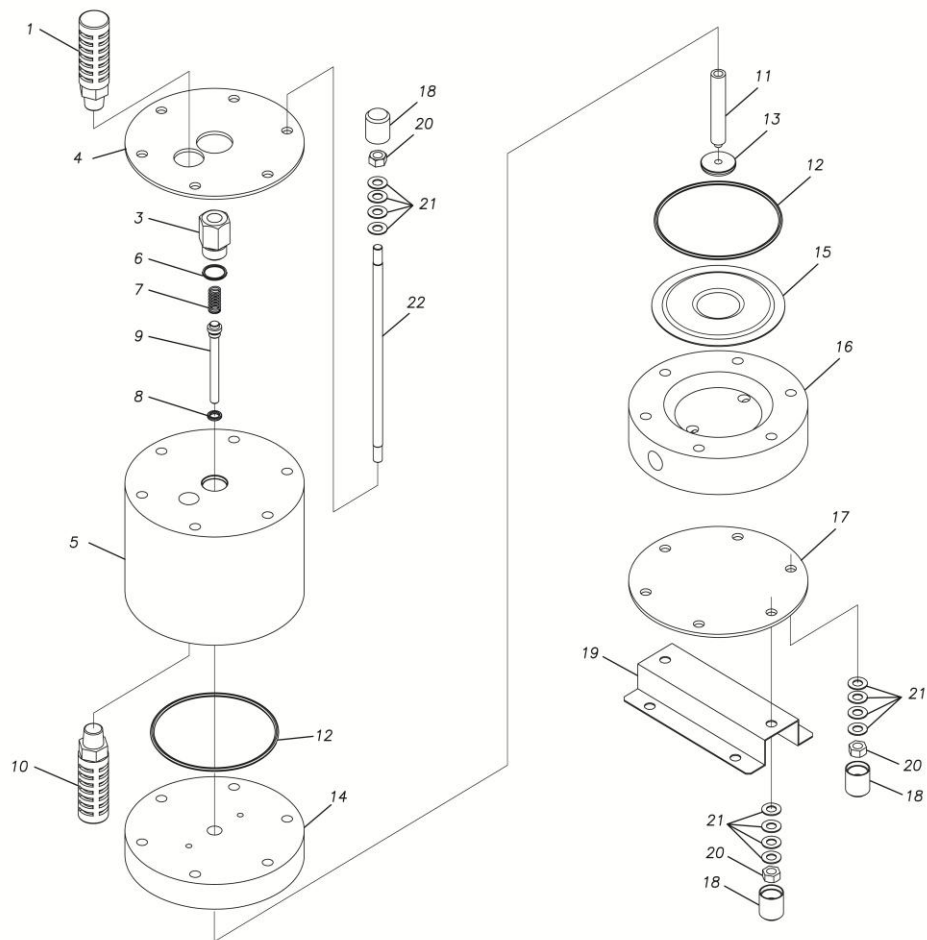
The part list and exploded view drawing as attached below indicate the full list of parts for the above mentioned pump model.

When ordering parts take care to select the correct model pump and required parts. Also be aware that models may change over time as improvements are made so cross-referencing the pumps serial number assembly date and service code are also recommended.

If you require specific spare parts you can also use this form to place your order.

For more information specific to your pump please refer to the pumps Service Book and Operation Manual available separately.

Please contact your Pump Distributor directly for more information.



■ Parts List

CF-X10HTN

1D00113MN

| Ref.No. | Parts No. | Description | Parts Component | Remark |
|---------|-----------|----------------------|-----------------|--------|
| 1 | 1D90001MP | SILENCER | 1 | |
| 3 | 1D30065MN | VALVE SEAT | 1 | |
| 4 | 1D30066MM | REINFORCEMENT PLATE | 1 | |
| 5 | 1D30067MM | AIR CHAMBER UPPER | 1 | |
| 6 | 9S1VP0016 | O RING P-16 | 1 | |
| 7 | 1H30106MM | SPRING | 1 | |
| 8 | 9S1VP0006 | O RING P-6 | 1 | |
| 9 | 1D30068MM | VALVE | 1 | |
| 10 | 1D10019MK | SHIBORI ASSEMBLY | 1 | |
| 11 | 1D30069MM | CENTER ROD | 1 | |
| 12 | 9S1TG0100 | O RING G-100 | 2 | |
| 13 | 1D30070MM | CENTER DISK | 1 | |
| 14 | 1D30071MM | AIR CHAMBER LOWER | 1 | |
| 15 | 1D20049T3 | DIAPHRAGM | 1 | |
| 16 | 1D20050TN | OUT CHAMBER | 1 | |
| 17 | 1D30072MM | REINFORCEMENT PLATE | 1 | |
| 18 | 1E30069TB | CAP | 12 | |
| 19 | 1D30073MM | BASE | 1 | |
| 20 | 9N1210800 | NUT M8 | 12 | |
| 21 | 9W3210800 | CONED DISK SPRING M8 | 48 | |
| 22 | 1D30074MM | TIE ROD | 6 | |