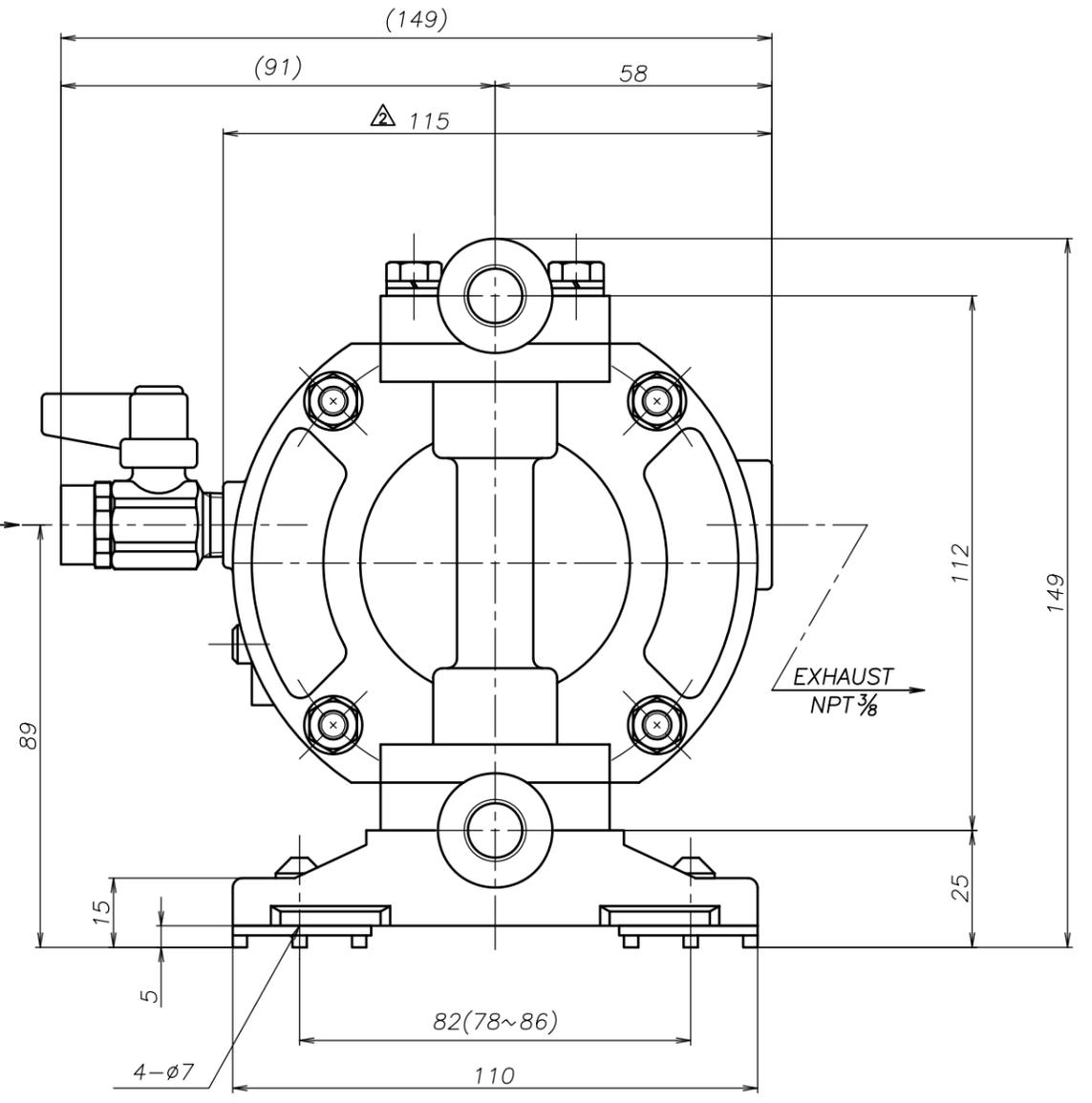
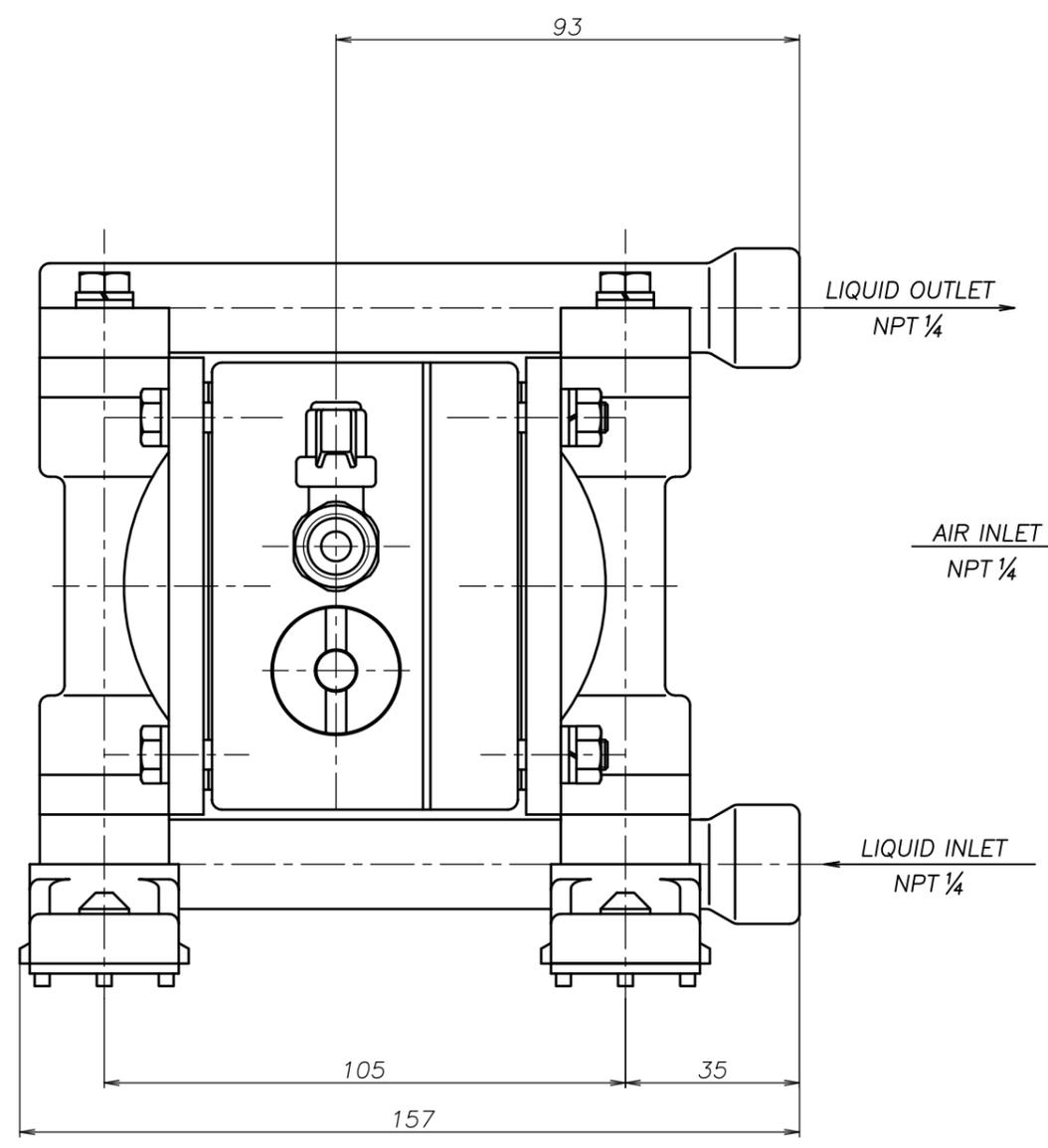


SYM	DWG.NO	CHANGE NO	DATE	REV'D BY
1C00003YN-B	1CE0030		'18. 3.19	K.Nakada
1C00003YN-C	1BE0005		'19.10.28	K.Nakada
1C00003YN-D	1BE0006	誤記訂正	'20. 6.23	K.Nakada



APP'D BY	'24. 3.29 S.Murata	THE DWG. OF:	ダイアフラムポンプアSEMBリー
CHECKED BY	'24. 3.29 Y.Takahashi	DIAPHRAGM PUMP ASSEMBLY	
DRAWN BY	'24. 3.29 J.Tomatsuri	△050 ATN	
YTS Co., Ltd JAPAN		THIRD ANG. PROJ.	DWG.NO.
		SCALE Free	1C00003YN-D