



展開図 & パーツリスト

Exploded View Drawing and Parts List

型式

Model: **D200HTN**

製品番号

Model Number: **1G00049MN**

The part list and exploded view drawing as attached below indicate the full list of parts for the above mentioned pump model.

When ordering parts take care to select the correct model pump and required parts. Also be aware that models may change over time as improvements are made so cross-referencing the pumps serial number assembly date and service code are also recommended.

If you require specific spare parts you can also use this form to place your order.

For more information specific to your pump please refer to the pumps Service Book and Operation Manual available separately.

Please contact your Pump Distributor or YTS directly for more information.

上記ポンプは以下のパーツリストと展開図の部品により構成されております。

部品をご購入の際はポンプ型式、必要部品をご確認ください。

製品は改善のため変更されることがあるので、シリアルナンバー、組立日、サービスコードが必要です。

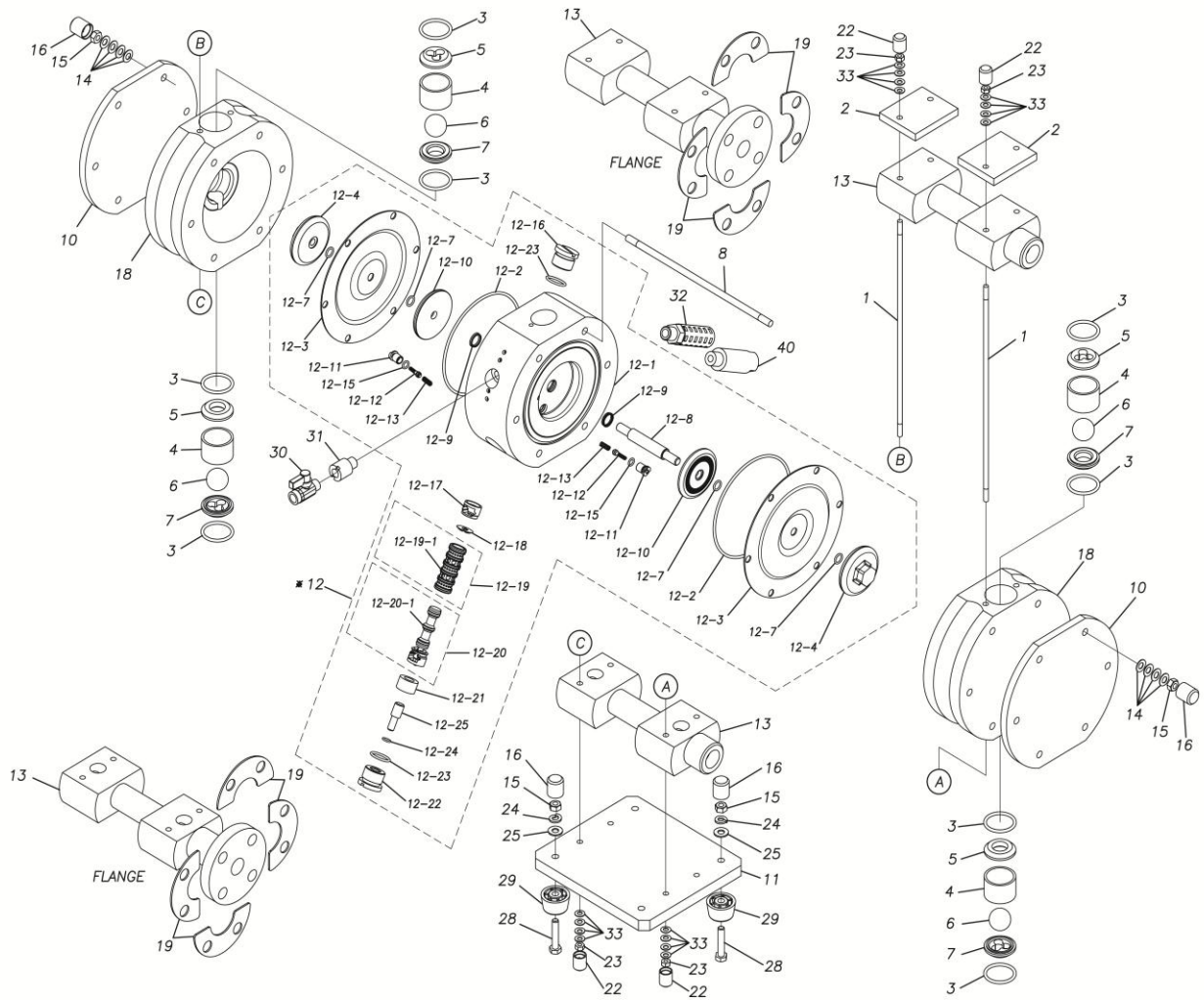
特注部品の注文にもこちらの用紙をご利用いただけます。

ポンプ詳細につきましては別にご用意しておりますポンプサービスブック、取扱説明書をご参照ください。

ご不明な点がございましたら代理店もしくは直接YTSまでご連絡ください。

YTS JAPAN Co.,Ltd.

www.yts-pump.com



■ Parts List

D200HTN

1G00049MN

Ref.No.	Parts No.	Description	Parts Component	Remark
1	1G30031MM	TIE ROD	4	
2	1G30032MM	REINFORCEMENT PLATE	2	
3	9S1TP0034	O RING P-34	8	
4	1G20029TM	VALVE GUIDE	4	
5	1G20030TM	VALVE STOPPER	4	
6	1G20008TM	BALL	4	
7	1G20031TM	VALVE SEAT	4	
8	1G30033MM	TIE ROD	6	
10	1G30034MM	REINFORCEMENT PLATE	2	
11	1G30035MM	BASE	1	
12	1G10007MP	BODY ASSEMBLY	1	

Ref.No.	Parts No.	Description	Parts Component	Remark	
12-1	1G10006MP	BODY ASSEMBLY	1	The parts of #12 are available with a set as [1G10007MP:BODY ASSEMBLY]. This is also available individually.	
12-2	9S1TG0130	O RING G-130	2		
12-3	1G20026T5	DIAPHRAGM	2		
12-4	1G20027TM	CENTER DISK	2		
12-7	9S1TP0010	O RING P-10	4		
12-8	1G20028MM	CENTER ROD	1		
12-9	9S2VA0014	PACKING	2		
12-10	1G30027MM	CENTER DISK	2		
12-11	1D30025MM	PILOT VALVE SEAT	2		
12-12	1D10012MK	PILOT VALVE ASSEMBLY	2		
12-13	1D30027MM	SPRING	2		
12-15	9S1VP0007	O RING P-7	2		
12-16	1G30028MM	CAP	1		
12-17	1E30029MB	SPRING STOPPER	1		
12-18	1E30025MB	CUSHION	1		
12-19	1E10004MK	SLEEVE ASSEMBLY	1		
12-19-1	9S1BA0018	O RING AS568-018	6		The parts of #12-19 are available with a set as [1E10004MK:SLEEVE ASSEMBLY]. This is also available individually.
12-20	1E10035MK	C SPOOL ASSEMBLY (Looped C®)	1		The parts of #12 are available with a set as [1G10007MP:BODY ASSEMBLY]. This is also available individually.
12-20-1	1E30031MM	SEAL RING	5		The parts of #12-20 are available with a set as [1E10035MK:C SPOOL ASSEMBLY (Looped C®)]. This is also available individually.
12-21	1G30029MM	SPACER	1	The parts of #12 are available with a set as [1G10007MP:BODY ASSEMBLY]. This is also available individually.	
12-22	1D30029MM	CAP	1		
12-23	9S1VP0022	O RING P-22	2		
12-24	9S1VP0008	O RING P-8	1		
12-25	1G30030MM	RESET BUTTON	1		
13	1G20032TN	MANIFOLD	2		
14	9W3210800	CONED DISK SPRING M8	48		
15	9N1210800	NUT M8	16		
16	1E30069TB	CAP	16		
18	1G20033TM	OUT CHAMBER	2		
22	1E30037TB	CAP	8		
23	9N1210600	NUT M6	8		
24	9W2210800	SPRING LOCK WASHER M8	4		
25	9W1210800	PLAIN WASHER M8	4		
28	9B1220840	BOLT M8 × 40	4		
29	1H30055MB	RUBBER FEET	4		
30	1E90002MN	BALL VALVE	1		
31	1D30036MN	UNION	1		
32	1D90001MP	SILENCER	1		
33	9W3210600	CONED DISK SPRING M6	32		
40	1D30037MN	UNION	1		