



展開図 & パーツリスト

Exploded View Drawing and Parts List

型式

Model: **D051PTN**

製品番号

Model Number: **1C00054MN**

The part list and exploded view drawing as attached below indicate the full list of parts for the above mentioned pump model.

When ordering parts take care to select the correct model pump and required parts. Also be aware that models may change over time as improvements are made so cross-referencing the pumps serial number assembly date and service code are also recommended.

If you require specific spare parts you can also use this form to place your order.

For more information specific to your pump please refer to the pumps Service Book and Operation Manual available separately.

Please contact your Pump Distributor or YTS directly for more information.

上記ポンプは以下のパーツリストと展開図の部品により構成されております。

部品をご購入の際はポンプ型式、必要部品をご確認ください。

製品は改善のため変更されることがあるので、シリアルナンバー、組立日、サービスコードが必要です。

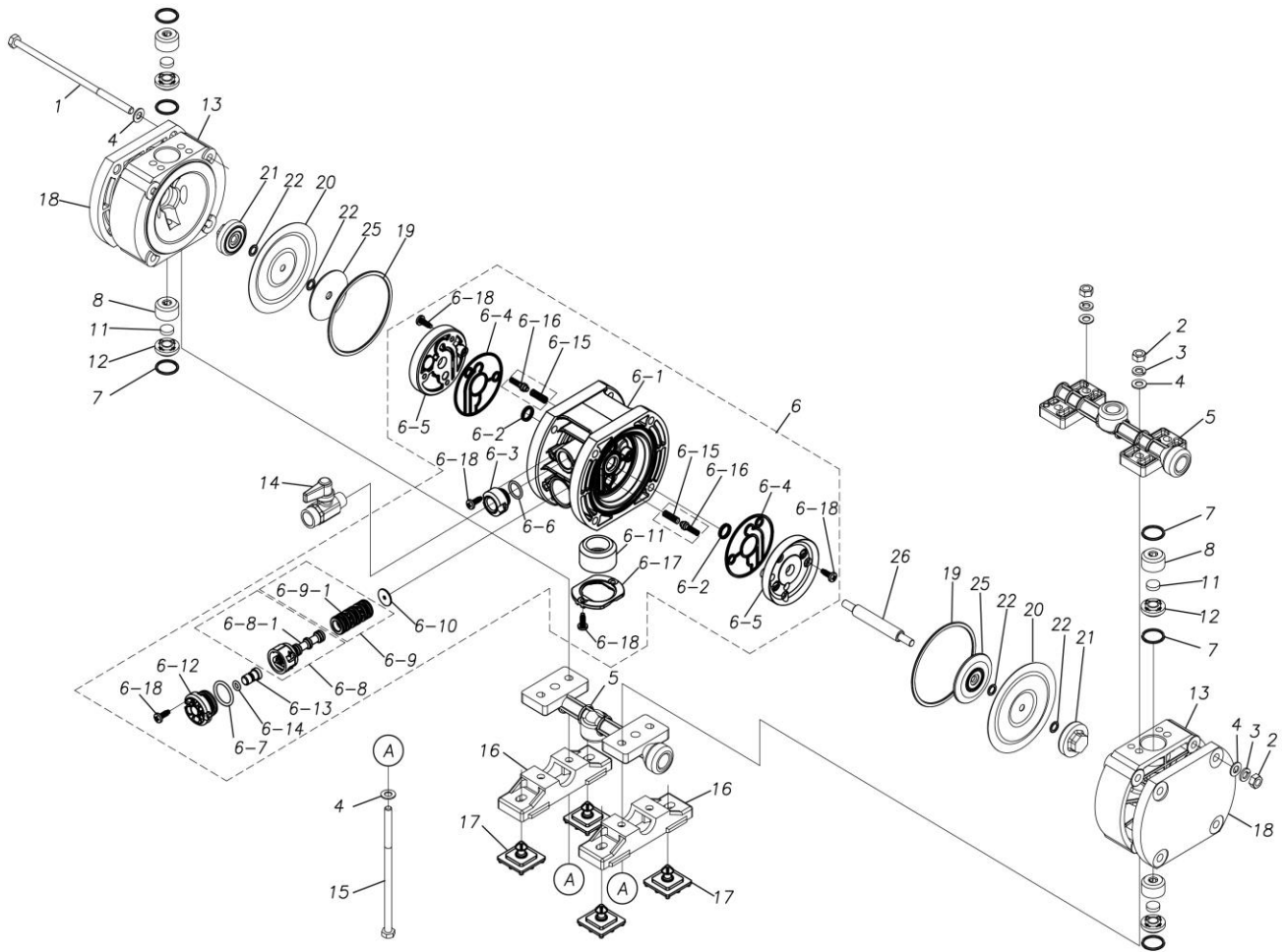
特注部品の注文にもこちらの用紙をご利用いただけます。

ポンプ詳細につきましては別にご用意しておりますポンプサービスブック、取扱説明書をご参照ください。

ご不明な点がございましたら代理店もしくは直接YTSまでご連絡ください。

YTS JAPAN Co.,Ltd.

www.yts-pump.com



■ Parts List

D051PTN

1C0054MN

Ref.No.	Parts No.	Description	Parts Component	Remark
1	9B1290604	BOLT M6 × 160	4	
2	9N1210600	NUT M6	8	
3	9W2210600	SPRING LOCK WASHER M6	8	
4	9W1290600	PLAIN WASHER M6	16	
5	1C20055PN	MANIFOLD	2	
6	1C10067MN	BODY ASSEMBLY	1	The parts of #6 are available with a set as [1C10067MN: BODY ASSEMBLY]. This is also available individually.
6-1	1C30076MB	BODY	1	
6-2	9S2BA0010	PACKING	2	
6-3	1C30079MN	CAP BODY IN	1	
6-4	1C30080MB	PACKING BODY	2	
6-5	1C30077MB	AIR CHAMBER	2	
6-6	9S1B90005	O RING	1	
6-7	9S1BP0018	O RING P-18	1	
6-8	1C10017MK	C SPOOL ASSEMBLY (Looped C®)	1	
6-8-1	1C30024MM	SEAL RING	5	The parts of #6-8 are available with a set as [1C10017MK: C SPOOL ASSEMBLY (Looped C®)]. This is also available individually.
6-9	1C10011MK	SLEEVE ASSEMBLY	1	The parts of #6 are available with a set as [1C10067MN: BODY ASSEMBLY]. This is also available individually.

Ref.No.	Parts No.	Description	Parts Component	Remark
6-9-1	9S1B90005	O RING	6	The parts of #6-9 are available with a set as [1C10011MK:SLEEVE ASSEMBLY]. This is also available individually.
6-10	1C30013MB	CUSHION	1	The parts of #6 are available with a set as [1C10067MN:BODY ASSEMBLY]. This is also available individually.
6-11	1E30033MB	SILENCER	1	
6-12	1C30078MB	CAP RESET BUTTON	1	
6-13	1C30081MM	RESET BUTTON	1	
6-14	9S1BP0005	O RING P-5	1	
6-15	1C30018MM	SPRING	2	
6-16	1C10004MK	PILOT VALVE ASSEMBLY	2	
6-17	1C30085MB	STOPPER SILENCER	1	
6-18	9T7224012	SCREW M4 × 12	12	
7	9S1TP0016	O RING P-16	6	
8	1C20011PB	VALVE STOPPER	4	
11	1C20012TM	FLAT VALVE	4	
12	1C20034PB	VALVE SEAT	4	
13	1C20029PM	OUT CHAMBER	2	
14	1E90002MN	BALL VALVE	1	
15	9B1290605	BOLT M6 × 130	4	
16	1C30030MB	BASE	2	
17	1C30031MB	RUBBER FEET	4	
18	1C30036MB	REINFORCEMENT PLATE	2	
19	9S1BG0070	O RING G-70	2	
20	1C20007T2	DIAPHRAGM	2	
21	1C20033PB	CENTER DISK	2	
22	9S1TP0006	O RING P-6	4	
25	1C30032MM	CENTER DISK	2	
26	1C20009MM	CENTER ROD	1	