



展開図 & パーツリスト

Exploded View Drawing and Parts List

型式

Model: **D400HTJ**

製品番号

Model Number: **1L00015MP**

The part list and exploded view drawing as attached below indicate the full list of parts for the above mentioned pump model.

When ordering parts take care to select the correct model pump and required parts. Also be aware that models may change over time as improvements are made so cross-referencing the pumps serial number assembly date and service code are also recommended.

If you require specific spare parts you can also use this form to place your order.

For more information specific to your pump please refer to the pumps Service Book and Operation Manual available separately.

Please contact your Pump Distributor or YTS directly for more information.

上記ポンプは以下のパーツリストと展開図の部品により構成されております。

部品をご購入の際はポンプ型式、必要部品をご確認ください。

製品は改善のため変更されることがあるので、シリアルナンバー、組立日、サービスコードが必要です。

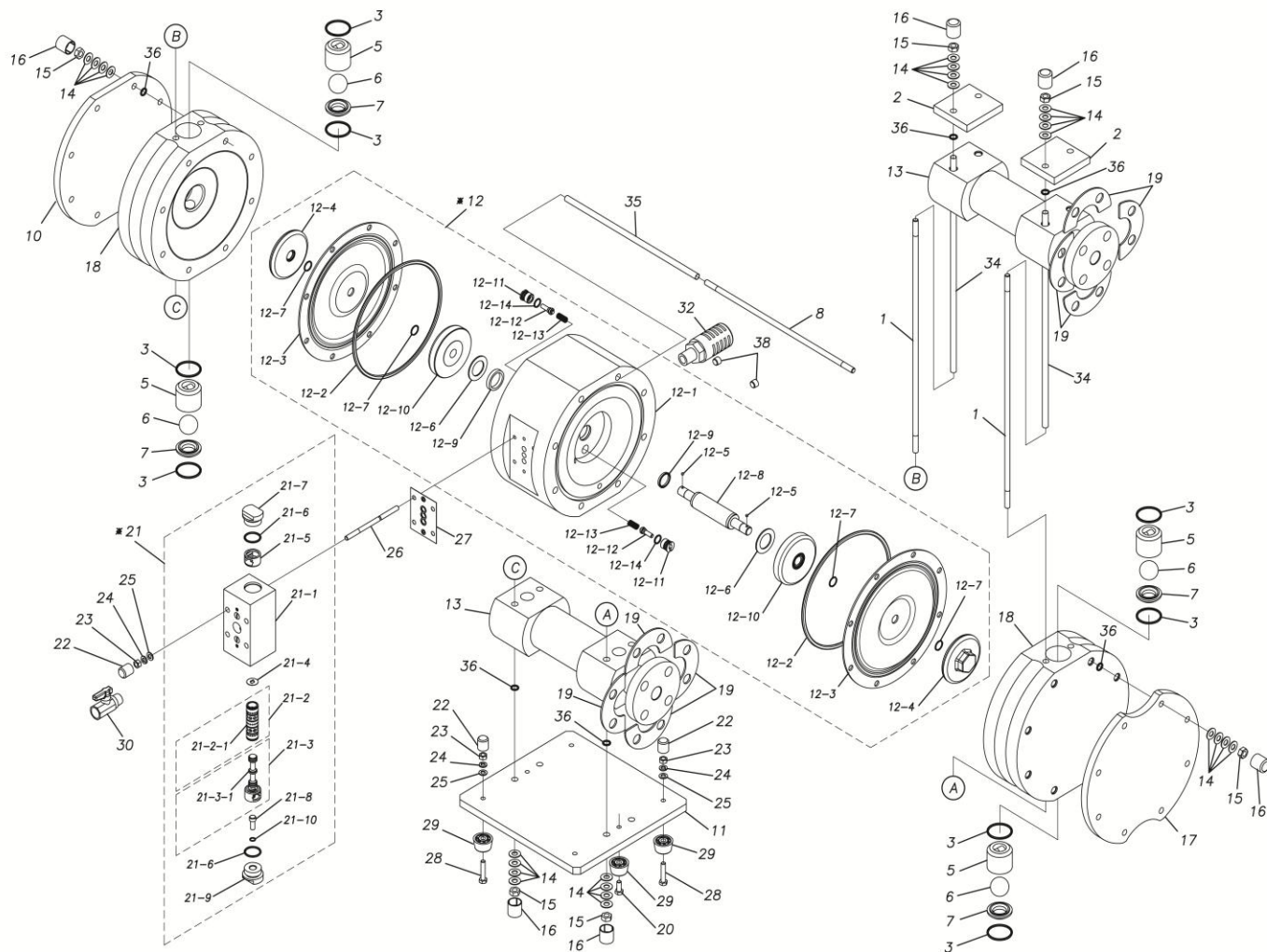
特注部品の注文にもこちらの用紙をご利用いただけます。

ポンプ詳細につきましては別にご用意しておりますポンプサービスブック、取扱説明書をご参照ください。

ご不明な点がございましたら代理店もしくは直接YTSまでご連絡ください。

YTS JAPAN Co.,Ltd.

www.yts-pump.com



■ Parts List

D400HTJ

1L00015MP

Ref.No.	Parts No.	Description	Parts Component	Remark
1	1L30015MM	TIE ROD	4	
2	1L30016MM	REINFORCEMENT PLATE	2	
3	9S1TP0042	O RING P-42	8	
5	1H20067TM	VALVE STOPPER	4	
6	1H20019TM	BALL	4	
7	1H20068TM	VALVE SEAT	4	
8	1L30017MM	TIE ROD	8	
10	1L30018MM	REINFORCEMENT PLATE	1	
11	1L30019MM	BASE	1	
12	1L10011MP	BODY ASSEMBLY	1	

Ref.No.	Parts No.	Description	Parts Component	Remark
12-1	1L30011MP	BODY	1	The parts of #12 are available with a set as [1L10011MP:BODY ASSEMBLY]. This is also available individually.
12-2	9S1TG0220	O RING G-220	2	
12-3	1L20001T6	DIAPHRAGM	2	
12-4	1L20009TM	CENTER DISK	2	
12-5	1L30013MM	CENTER DISK RETAINER	2	
12-6	1L30014TM	CUSHION	2	
12-7	9S1TP0016	O RING P-16	4	
12-8	1L20005MM	CENTER ROD	1	
12-9	9S2VP0030	PACKING	2	
12-10	1L30024MM	CENTER DISK	2	
12-11	1H30083MM	PILOT VALVE SEAT	2	
12-12	1L10012MK	PILOT VALVE ASSEMBLY	2	
12-13	1H30106MM	SPRING	2	
12-14	9S1VP0014	O RING P-14	2	
13	1L20007TP	MANIFOLD	2	
14	9W3211000	CONED DISK SPRING M-10	96	
15	9N1211000	NUT M10	24	
16	1H30037TB	CAP	24	
17	1L30020MM	REINFORCEMENT PLATE	1	
18	1L20008TM	OUT CHAMBER	2	
19	1H30090MM	REINFORCEMENT PLATE	8	
20	9B1210820	BOLT M8 x 20	2	
21	1L10010MP	MAIN VALVE ASSEMBLY	1	The parts of #21 are available with a set as [1L10010MP:MAIN VALVE ASSEMBLY]. This is also available individually.
21-1	1L10009MP	VALVE BODY ASSEMBLY	1	
21-2	1H10019MK	SLEEVE ASSEMBLY	1	The parts of #21-2 are available with a set as [1H10019MK:SLEEVE ASSEMBLY]. This is also available individually.
21-2-1	9S1BA0018	O RING AS568-018	6	
21-3	1H10018MK	C SPOOL ASSEMBLY (Looped C®)	1	The parts of #21 are available with a set as [1L10010MP:MAIN VALVE ASSEMBLY]. This is also available individually.
21-3-1	1H30072MM	SEAL RING	5	The parts of #21-3 are available with a set as [1H10018MK:C SPOOL ASSEMBLY (Looped C®)]. This is also available individually.
21-4	1E30025MB	CUSHION	1	The parts of #21 are available with a set as [1L10010MP:MAIN VALVE ASSEMBLY]. This is also available individually.
21-5	1H30069MB	SPRING STOPPER	1	
21-6	9S1VP0026	O RING P-26	2	
21-7	1H30076MM	CAP	1	
21-8	1H30077MM	RESET BUTTON	1	
21-9	1H30078MM	CAP	1	
21-10	9S1VP0008	O RING P-8	1	
22	1E30069TB	CAP	8	
23	9N1210800	NUT M8	8	
24	9W2210800	SPRING LOCK WASHER M8	8	
25	9W1210800	PLAIN WASHER M8	8	

Ref.No.	Parts No.	Description	Parts Component	Remark
26	1H30091MM	STUD BOLT	4	
27	1L30021MB	GASKET	1	
28	9B1220840	BOLT M8 × 40	4	
29	1H30055MB	RUBBER FEET	4	
30	1L90001MP	BALL VALVE	1	
32	1H90003MK	SILENCER	1	
34	1L30022MB	TUBE	4	
35	1L30023MB	TUBE	8	
36	9S1VP0011	O RING P-11	24	
38	1D20030PP	PLUG	2	