



展開図 & パーツリスト

Exploded View Drawing and Parts List

型式

Model: **D030HT**

製品番号

Model Number: **1B00007MP**

The part list and exploded view drawing as attached below indicate the full list of parts for the above mentioned pump model.

When ordering parts take care to select the correct model pump and required parts. Also be aware that models may change over time as improvements are made so cross-referencing the pumps serial number assembly date and service code are also recommended.

If you require specific spare parts you can also use this form to place your order.

For more information specific to your pump please refer to the pumps Service Book and Operation Manual available separately.

Please contact your Pump Distributor or YTS directly for more information.

上記ポンプは以下のパーツリストと展開図の部品により構成されております。

部品をご購入の際はポンプ型式、必要部品をご確認ください。

製品は改善のため変更されることがあるので、シリアルナンバー、組立日、サービスコードが必要です。

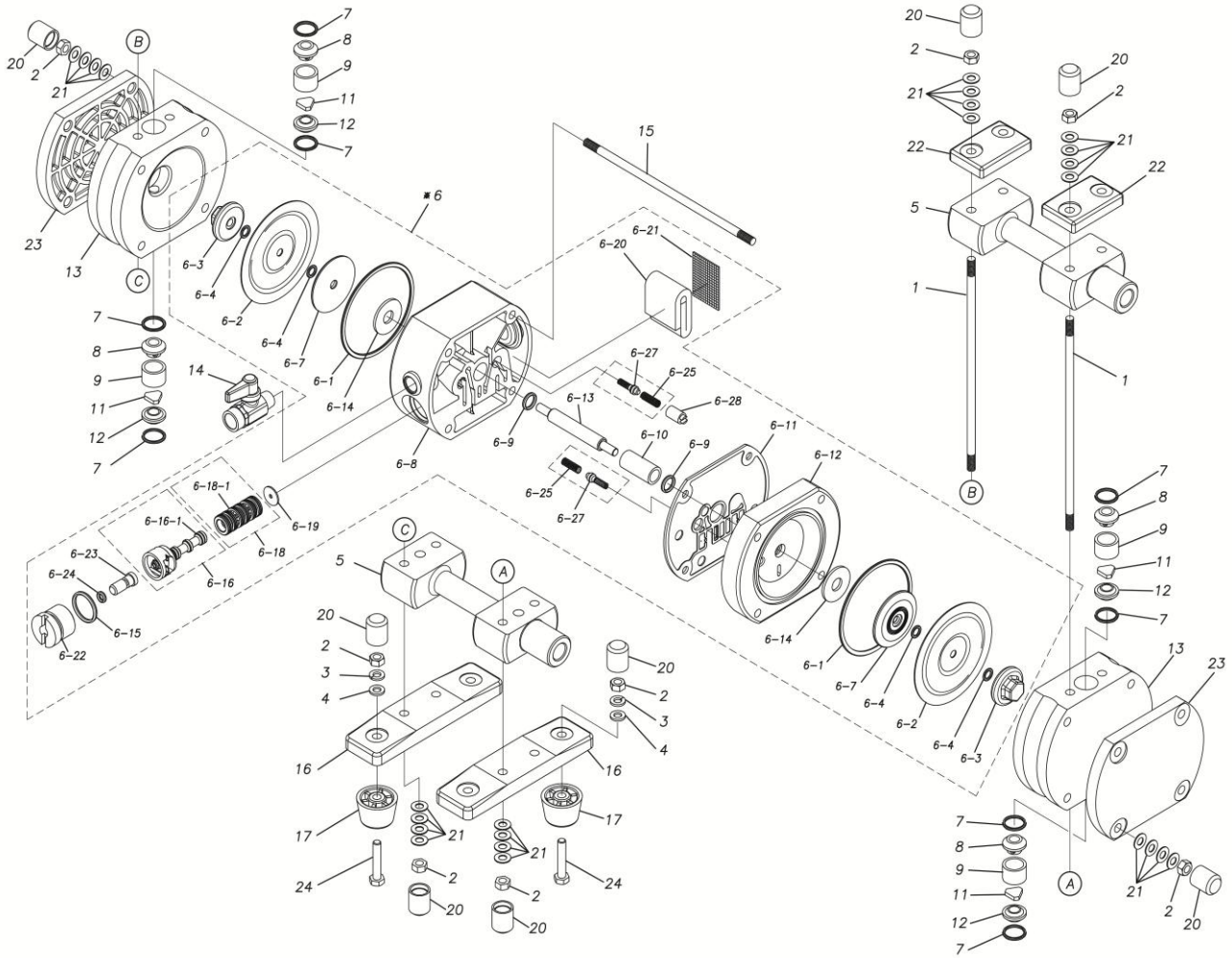
特注部品の注文にもこちらの用紙をご利用いただけます。

ポンプ詳細につきましては別にご用意しておりますポンプサービスブック、取扱説明書をご参照ください。

ご不明な点がございましたら代理店もしくは直接YTSまでご連絡ください。

YTS JAPAN Co.,Ltd.

www.yts-pump.com



■ Parts List

D030HT

1B0007MP

Ref.No.	Parts No.	Description	Parts Component	Remark
1	1C30001MM	TIE ROD	4	
2	9N1210600	NUT M6	20	
3	9W2210600	SPRING LOCK WASHER M6	4	
4	9W1210600	PLAIN WASHER M6	4	
5	1B20004TP	MANIFOLD	2	
6	1C10030MP	BODY ASSEMBLY	1	
6-1	9S1VG0070	O RING G-70	2	
6-2	1C20007T2	DIAPHRAGM	2	
6-3	1C20008TM	CENTER DISK	2	
6-4	9S1TP0006	O RING P-6	4	
6-7	1C30007MM	CENTER DISK	2	
6-8	1C30008MP	BODY L	1	The parts of #6 are available with a set as [1C10030MP:BODY ASSEMBLY]. This is also available individually.
6-9	9S2VA0010	PACKING	2	
6-10	1C30009MB	BUSHING	1	
6-11	1C30010MB	GASKET	1	
6-12	1C30011MM	BODY S	1	
6-13	1C20009MM	CENTER ROD	1	
6-14	1H30027MB	CUSHION	2	
6-15	9S1VP0020	O RING P-20	1	
6-16	1C10002MK	C SPOOL ASSEMBLY (Looped C®)	1	

The parts of #6-16 are available with a set as [1C10002MK:C SPOOL ASSEMBLY (Looped C®)]. This is also available individually.

Ref.No.	Parts No.	Description	Parts Component	Remark
6-16-1	1C30024MM	SEAL RING	5	
6-18	1C10011MK	SLEEVE ASSEMBLY	1	The parts of #6 are available with a set as [1C10030MP:BODY ASSEMBLY]. This is also available individually.
6-18-1	9S1B90005	O RING	6	The parts of #6-18 are available with a set as [1C10011MK:SLEEVE ASSEMBLY]. This is also available individually.
6-19	1C30013MB	CUSHION	1	The parts of #6 are available with a set as [1C10030MP:BODY ASSEMBLY]. This is also available individually.
6-20	1C30014MB	SILENCER	1	
6-21	1C30015MB	MESH	1	
6-22	1C30016MM	CAP	1	
6-23	1C30017MM	RESET BUTTON	1	
6-24	9S1VP0005	O RING P-5	1	
6-25	1C30018MM	SPRING	2	
6-27	1C10004MK	PILOT VALVE ASSEMBLY	2	
6-28	1C30019MB	STOPPER	1	
7	9S1TP0014	O RING P-14	8	
8	1C20002TM	VALVE STOPPER	4	
9	1C20003TM	VALVE GUIDE	4	
11	1C20017TM	FLAT VALVE	4	
12	1C20005TM	VALVE SEAT	4	
13	1B20003TM	OUT CHAMBER	2	
14	1E90002MP	BALL VALVE	1	
15	1C30002MM	TIE ROD	4	
16	1C30003MB	BASE	2	
17	1C30004MB	RUBBER FEET	4	
20	1E30037TB	CAP	20	
21	9W3210600	CONED DISK SPRING M6	64	
22	1C30005MB	REINFORCEMENT PLATE	2	
23	1C30006MB	REINFORCEMENT PLATE	2	
24	9B1210632	BOLT M6 × 32	4	