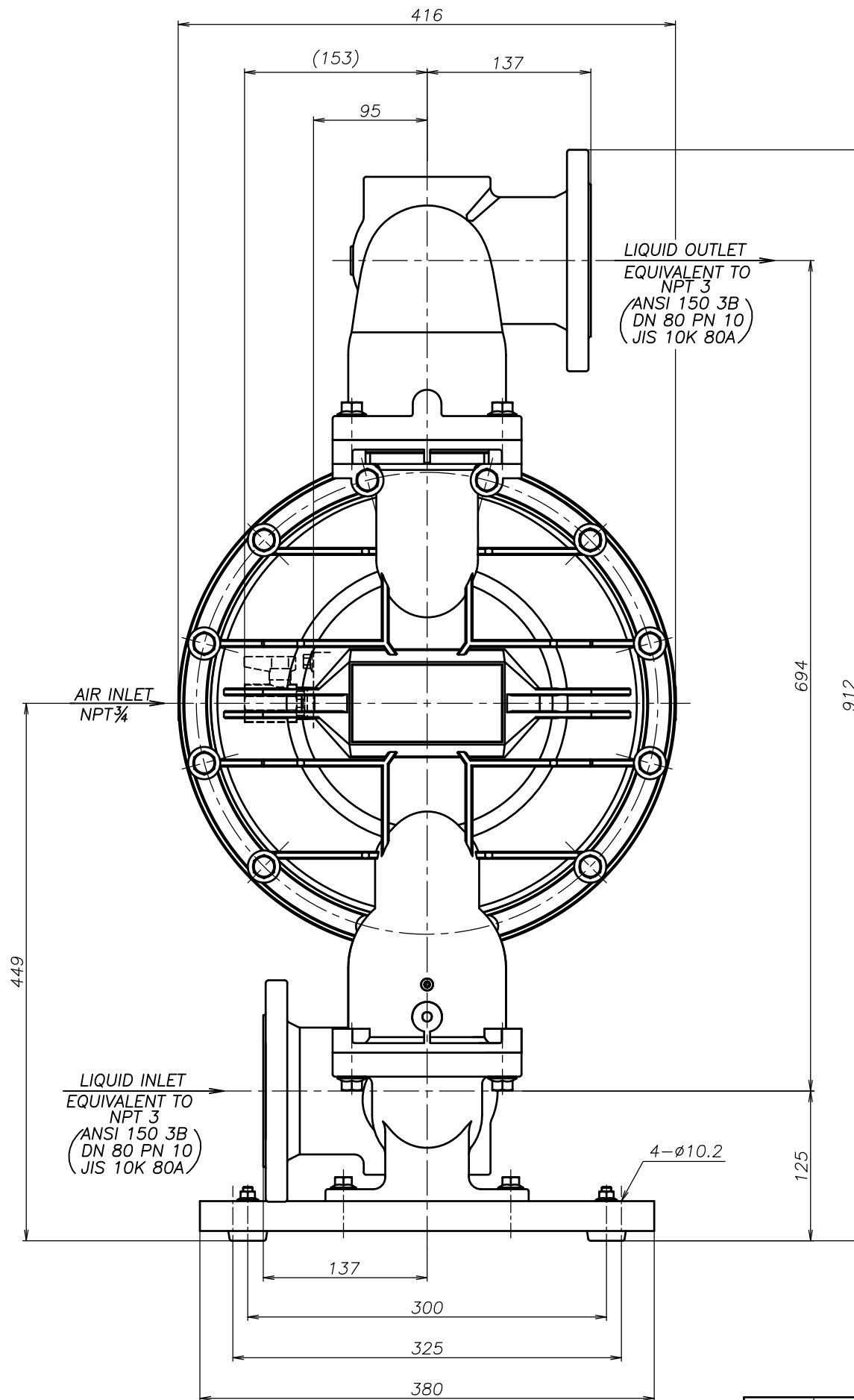
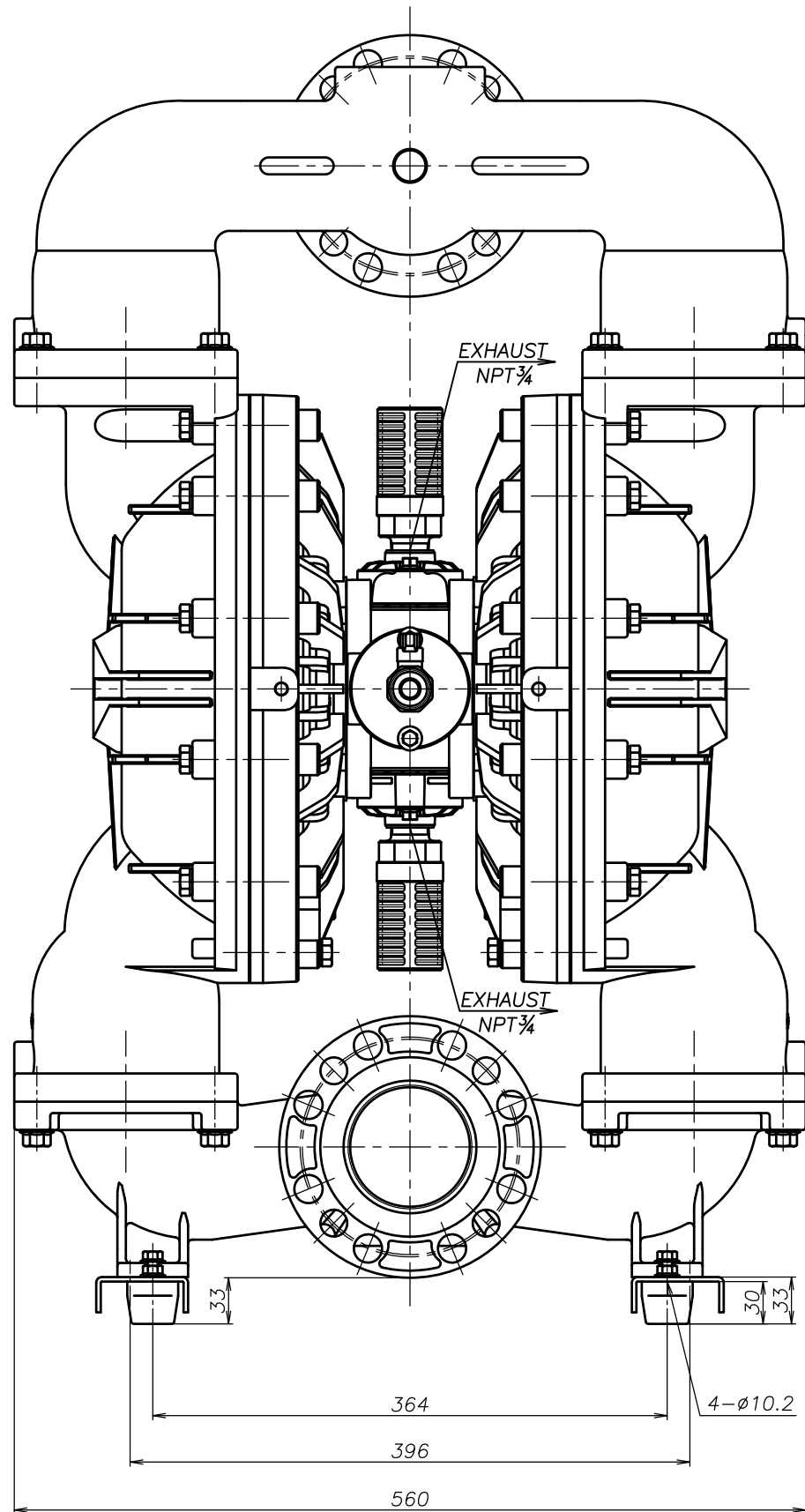


SYM	DWG.NO	CHANGE NO	DATE	REV'D BY
	ALL	1GE0037	'25. 1. 7	O.One



THE DWG. OF:  
ダイアフラムポンプアSEMBリ  
DIAPHRAGM PUMP ASSEMBLY  
800SWA-M  
THIRD ANG. PROJ. DWG.NO.  
SCALE Free 1P00455YN-A

THE DWG. OF:  
ダイアフラムポンプアSEMBリ  
DIAPHRAGM PUMP ASSEMBLY  
800SSA-M  
THIRD ANG. PROJ. DWG.NO.  
SCALE Free 1P00454YN-A

THE DWG. OF:  
ダイアフラムポンプアSEMBリ  
DIAPHRAGM PUMP ASSEMBLY  
800SHA-M  
THIRD ANG. PROJ. DWG.NO.  
SCALE Free 1P00453YN-A

THE DWG. OF:  
ダイアフラムポンプアSEMBリ  
DIAPHRAGM PUMP ASSEMBLY  
800STA-M  
THIRD ANG. PROJ. DWG.NO.  
SCALE Free 1P00452YN-A

THE DWG. OF:  
ダイアフラムポンプアSEMBリ  
DIAPHRAGM PUMP ASSEMBLY  
800SVA-M  
THIRD ANG. PROJ. DWG.NO.  
SCALE Free 1P00451YN-A

THE DWG. OF:  
ダイアフラムポンプアSEMBリ  
DIAPHRAGM PUMP ASSEMBLY  
800SEA-M  
THIRD ANG. PROJ. DWG.NO.  
SCALE Free 1P00450YN-A

THE DWG. OF:  
ダイアフラムポンプアSEMBリ  
DIAPHRAGM PUMP ASSEMBLY  
800SNA-M  
THIRD ANG. PROJ. DWG.NO.  
SCALE Free 1P00449YN-A

APP'D BY '25. 3.14 T.Terai  
CHECKED BY '25. 3.14 Y.Takahashi  
DRAWN BY '25. 3.14 J.Tomatsuri

**YTS** JAPAN Co., Ltd

THE DWG. OF:  
ダイアフラムポンプアSEMBリ  
DIAPHRAGM PUMP ASSEMBLY  
800SCA-M  
THIRD ANG. PROJ. DWG.NO.  
SCALE Free 1P00448YN-A