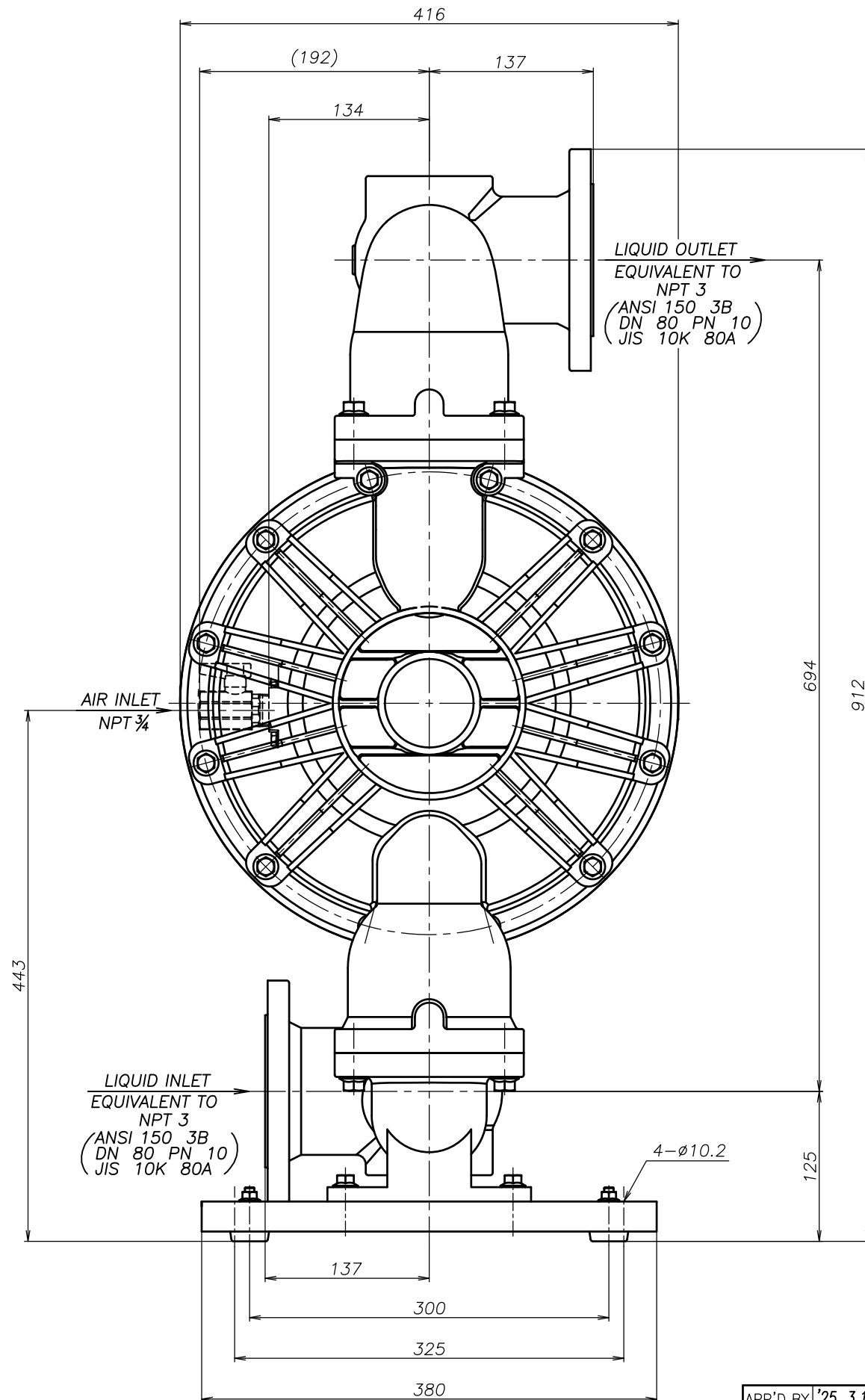
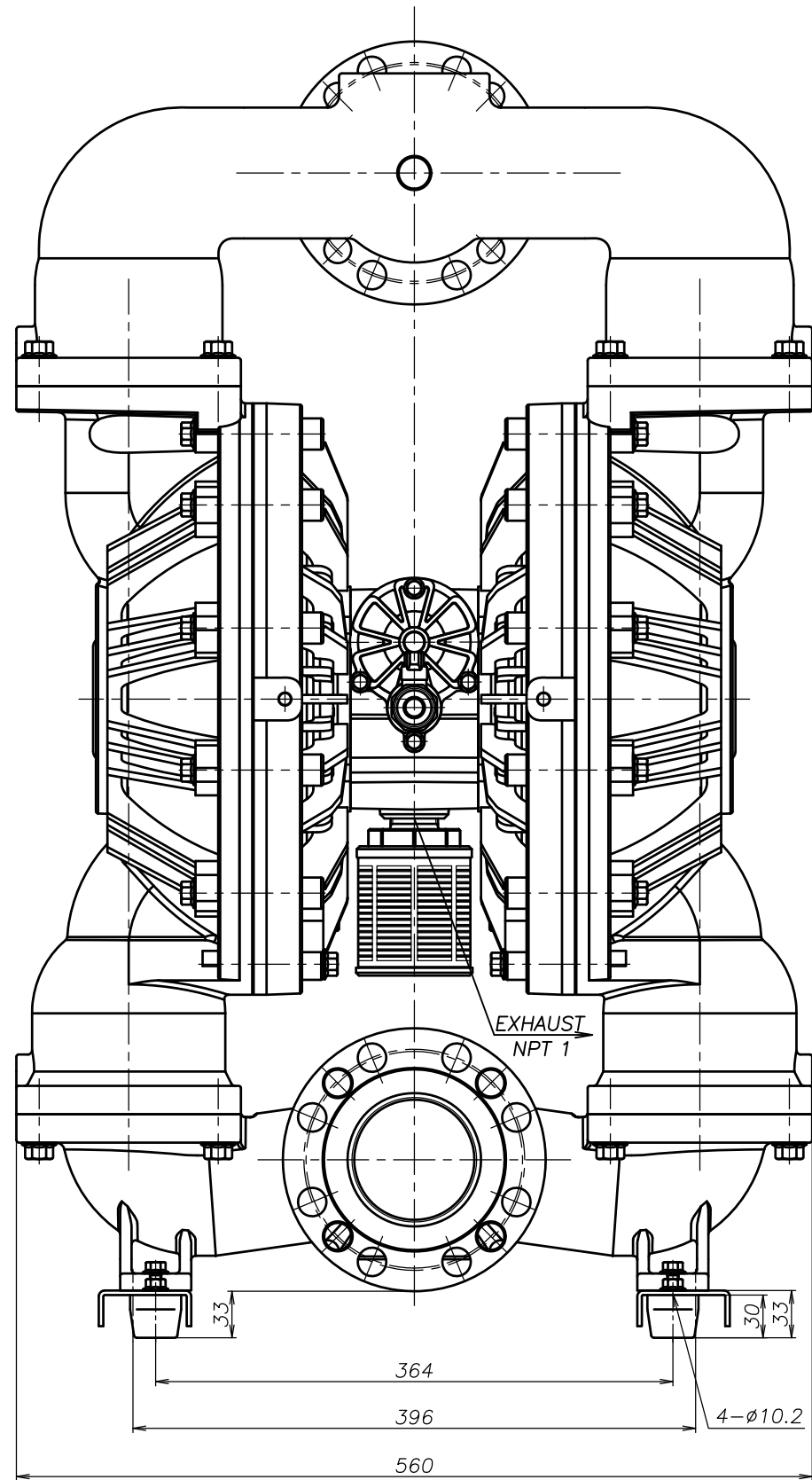


SYM	DWG.NO	CHANGE NO	DATE	REV'D BY
	ALL	1GE0037	'25. 1. 7	O.One



THE DWG. OF:
ダイアフラムポンプアSEMBリ
DIAPHRAGM PUMP ASSEMBLY
800AWA
THIRD ANG. PROJ. DWG.NO.
SCALE Free 1P00423YN-A

THE DWG. OF:
ダイアフラムポンプアSEMBリ
DIAPHRAGM PUMP ASSEMBLY
800ASA
THIRD ANG. PROJ. DWG.NO.
SCALE Free 1P00422YN-A

THE DWG. OF:
ダイアフラムポンプアSEMBリ
DIAPHRAGM PUMP ASSEMBLY
800AHA
THIRD ANG. PROJ. DWG.NO.
SCALE Free 1P00421YN-A

THE DWG. OF:
ダイアフラムポンプアSEMBリ
DIAPHRAGM PUMP ASSEMBLY
800ATA
THIRD ANG. PROJ. DWG.NO.
SCALE Free 1P00420YN-A

THE DWG. OF:
ダイアフラムポンプアSEMBリ
DIAPHRAGM PUMP ASSEMBLY
800AVA
THIRD ANG. PROJ. DWG.NO.
SCALE Free 1P00419YN-A

THE DWG. OF:
ダイアフラムポンプアSEMBリ
DIAPHRAGM PUMP ASSEMBLY
800AEA
THIRD ANG. PROJ. DWG.NO.
SCALE Free 1P00418YN-A

THE DWG. OF:
ダイアフラムポンプアSEMBリ
DIAPHRAGM PUMP ASSEMBLY
800ANA
THIRD ANG. PROJ. DWG.NO.
SCALE Free 1P00417YN-A

APP'D BY '25. 3.14 T.Terai
CHECKED BY '25. 3.14 Y.Takahashi
DRAWN BY '25. 3.14 J.Tomatsuri

YTS JAPAN Co., Ltd

THE DWG. OF:
ダイアフラムポンプアSEMBリ
DIAPHRAGM PUMP ASSEMBLY
800ACA
THIRD ANG. PROJ. DWG.NO.
SCALE Free 1P00416YN-A