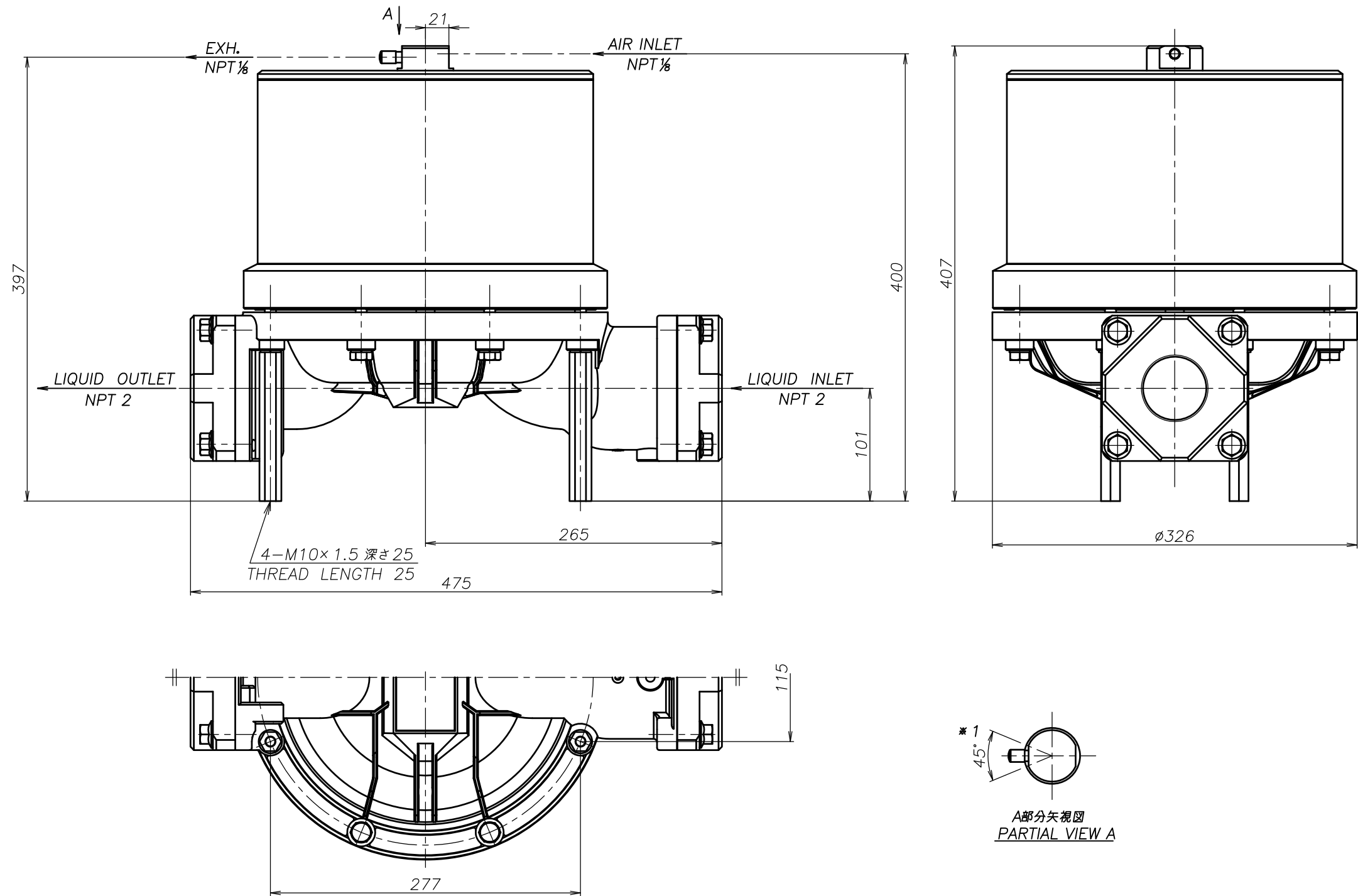


SYM	DWG.NO	CHANGE NO	DATE	REV'D BY
	ALL	1GE0037	'25. 1. 7	O.One



THE DWG. OF: ダンパアセンブリ DAMPER ASSEMBLY 50SWN	THIRD ANG. PROJ. DWG.NO. SCALE Free 1M00634YN-A
THE DWG. OF: ダンパアセンブリ DAMPER ASSEMBLY 50SSN	THIRD ANG. PROJ. DWG.NO. SCALE Free 1M00633YN-A
THE DWG. OF: ダンパアセンブリ DAMPER ASSEMBLY 50SHN	THIRD ANG. PROJ. DWG.NO. SCALE Free 1M00632YN-A
THE DWG. OF: ダンパアセンブリ DAMPER ASSEMBLY 50STN	THIRD ANG. PROJ. DWG.NO. SCALE Free 1M00631YN-A
THE DWG. OF: ダンパアセンブリ DAMPER ASSEMBLY 50SVN	THIRD ANG. PROJ. DWG.NO. SCALE Free 1M00630YN-A
THE DWG. OF: ダンパアセンブリ DAMPER ASSEMBLY 50SEN	THIRD ANG. PROJ. DWG.NO. SCALE Free 1M00629YN-A
THE DWG. OF: ダンパアセンブリ DAMPER ASSEMBLY 50SNN	THIRD ANG. PROJ. DWG.NO. SCALE Free 1M00628YN-A

注1) AIR INLET, EXH.は *1 の範囲で固定されています
NOTE:1) AIR INLET & EXH. port are fixed in the range of *1.

APP'D BY '25. 3.14 T.Terai	THE DWG. OF: ダンパアセンブリ DAMPER ASSEMBLY 50SCN
CHECKED BY '25. 3.14 Y.Takahashi	THIRD ANG. PROJ. DWG.NO. SCALE Free 1M00627YN-A
DRAWN BY '25. 3.14 J.Tomatsuri	
YTS JAPAN Co., Ltd	