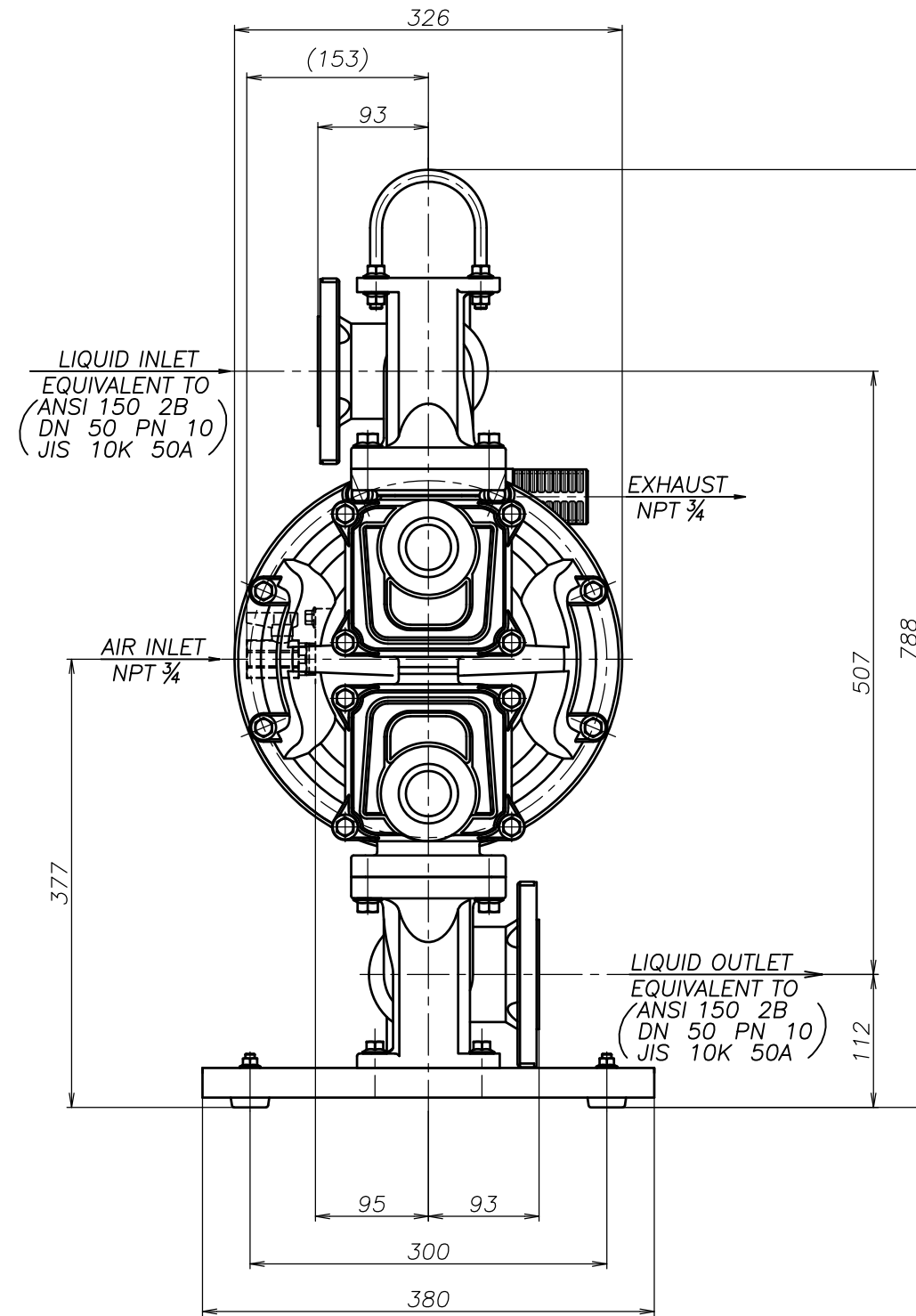
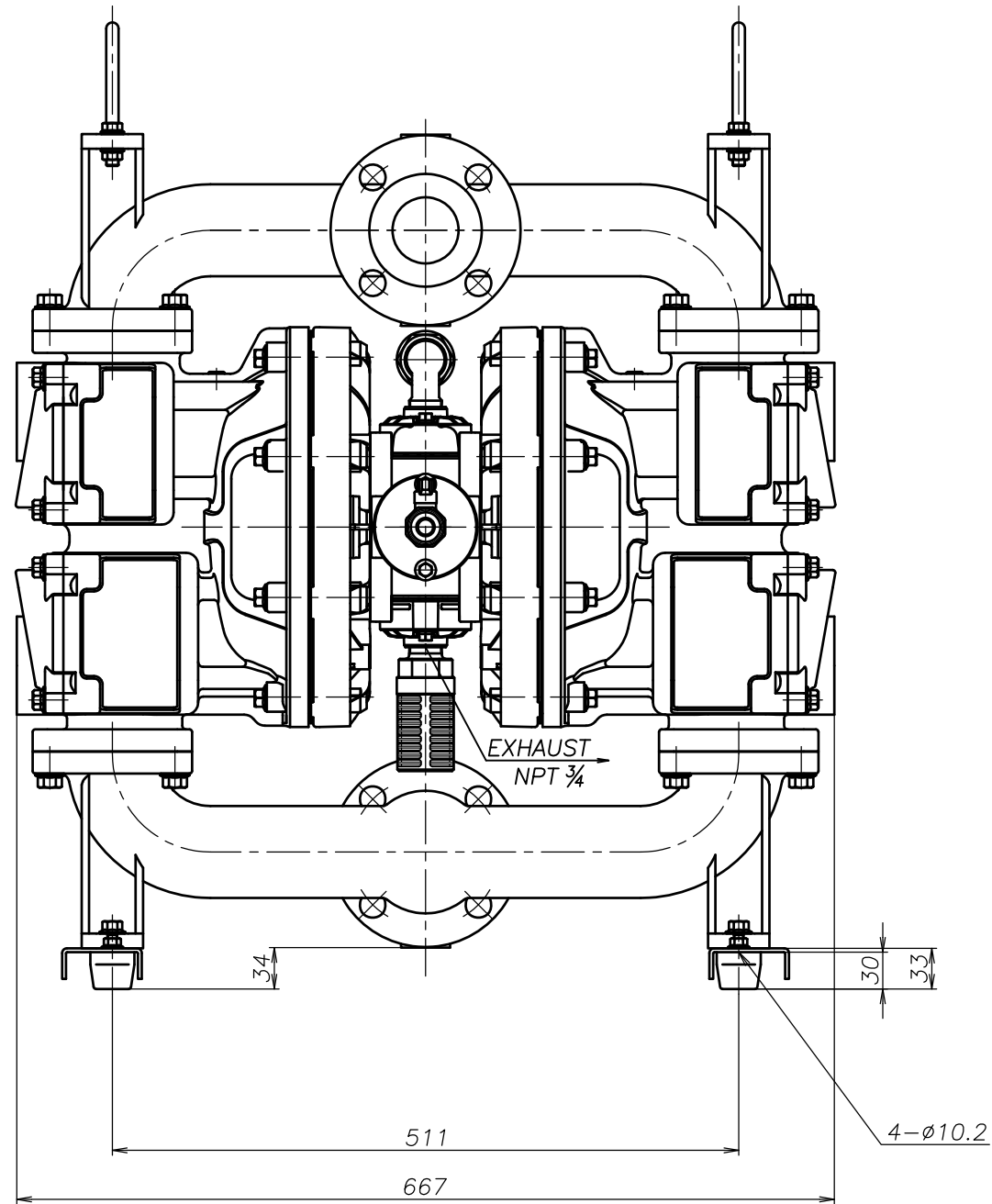


SYM	DWG.NO	CHANGE NO	DATE	REV'D BY
	ALL	1GE0037	'25. 1. 7	O.One



THE DWG. OF:
 ダイアフラムポンプアセンブリ
DIAPHRAGM PUMP ASSEMBLY
 500ASAW-M
 THIRD ANG. PROJ. DWG.NO.
 SCALE Free **1M00618YN-A**

APP'D BY '25. 3.14 T.Terai THE DWG. OF:
 ダイアフラムポンプアセンブリ
 CHECKED BY '25. 3.14 Y.Takahashi **DIAPHRAGM PUMP ASSEMBLY**
 DRAWN BY '25. 3.14 J.Tomatsuri 500ANAW-M
 THIRD ANG. PROJ. DWG.NO.
YTS JAPAN Co., Ltd SCALE Free **1M00617YN-A**