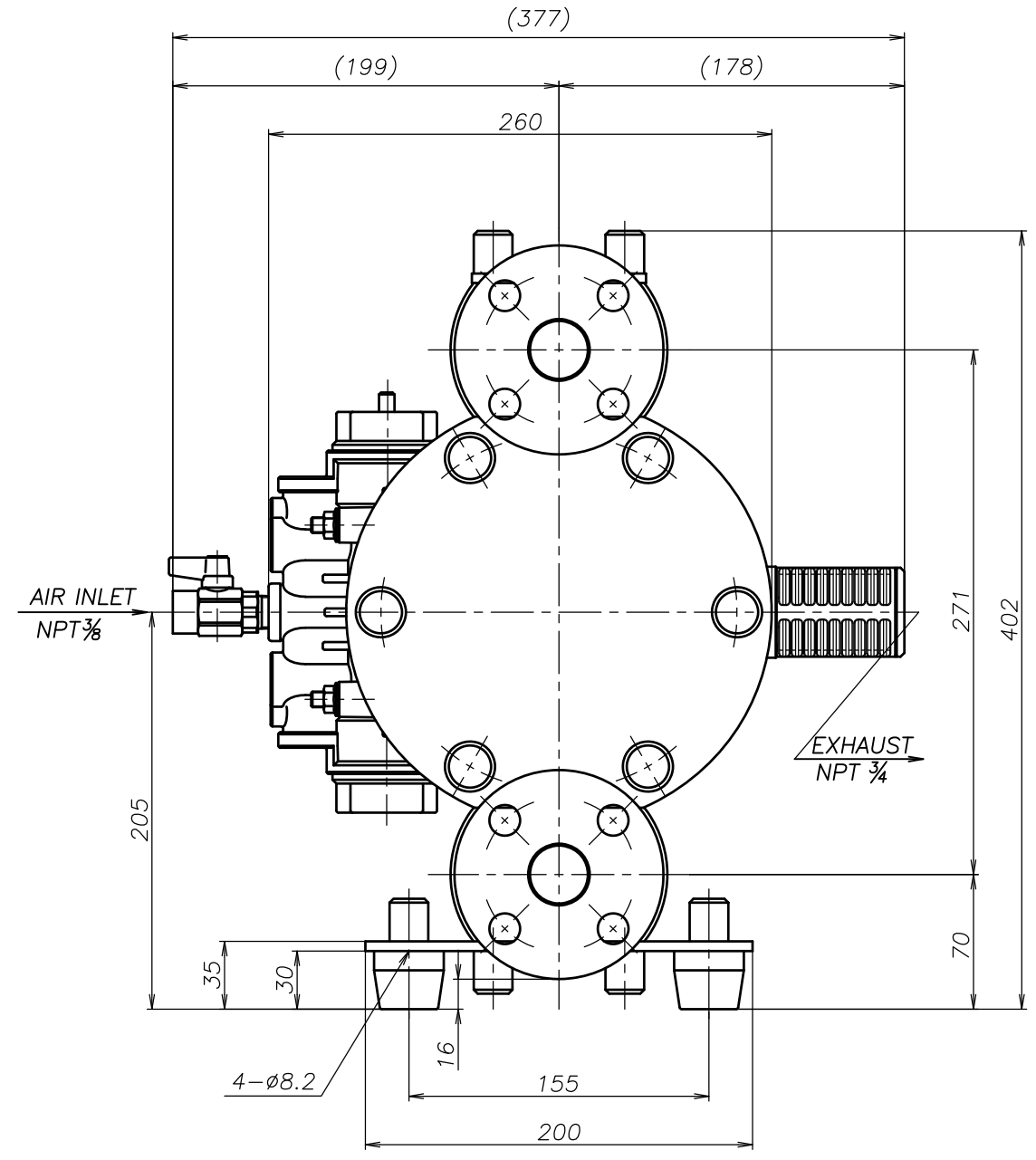
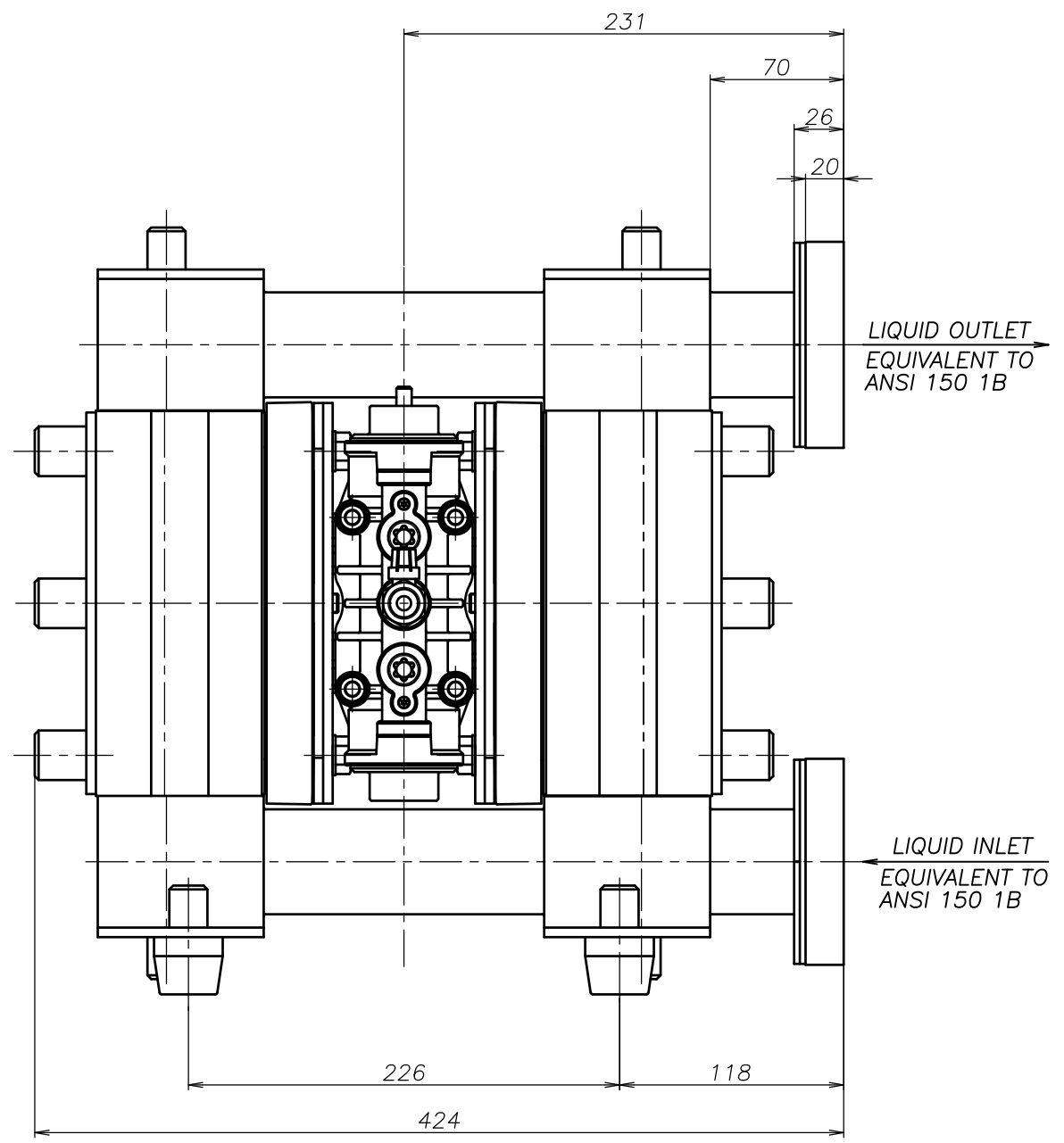


SYM	DWG.NO	CHANGE NO	DATE	REV'D BY
	1H00477YN-A	1GE0037	'25. 1. 7	O.One



APP'D BY	'25. 3.14	T.Terai	THE DWG. OF:	DIAPHRAGM PUMP ASSEMBLY
CHECKED BY	'25. 3.14	Y.Takahashi	250TTA	
DRAWN BY	'25. 3.14	J.Tomatsuri	THIRD ANG. PROJ.	DWG.NO.
YTS JAPAN Co., Ltd			SCALE	Free
				1H00477YN-A