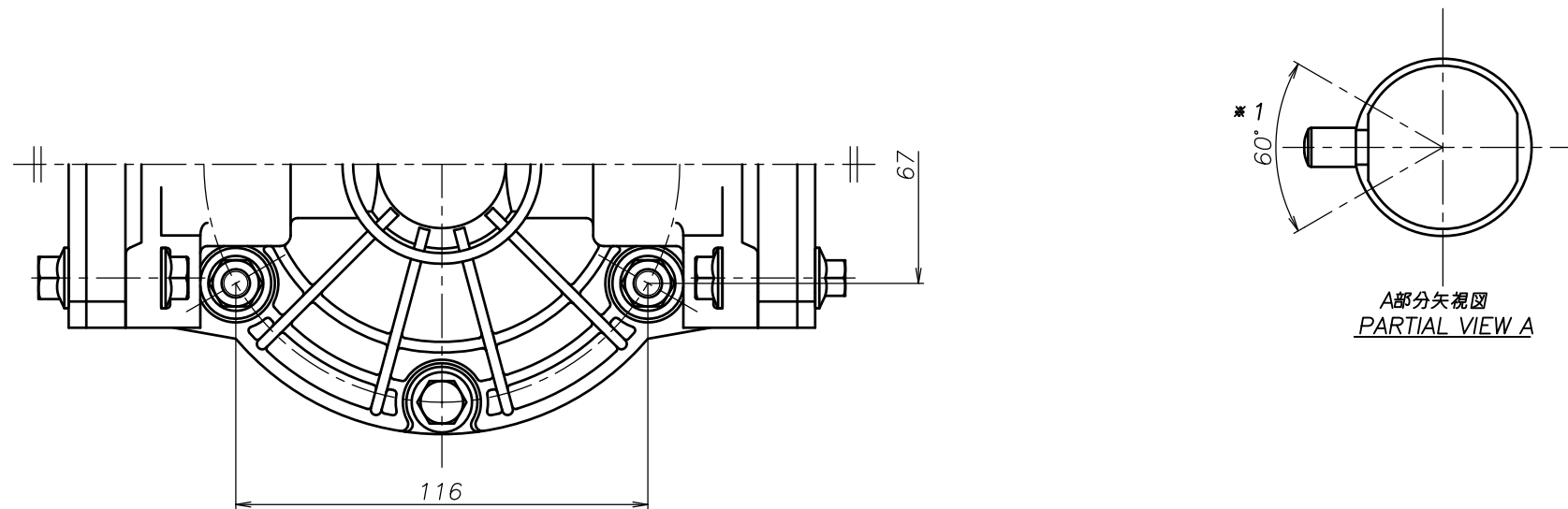
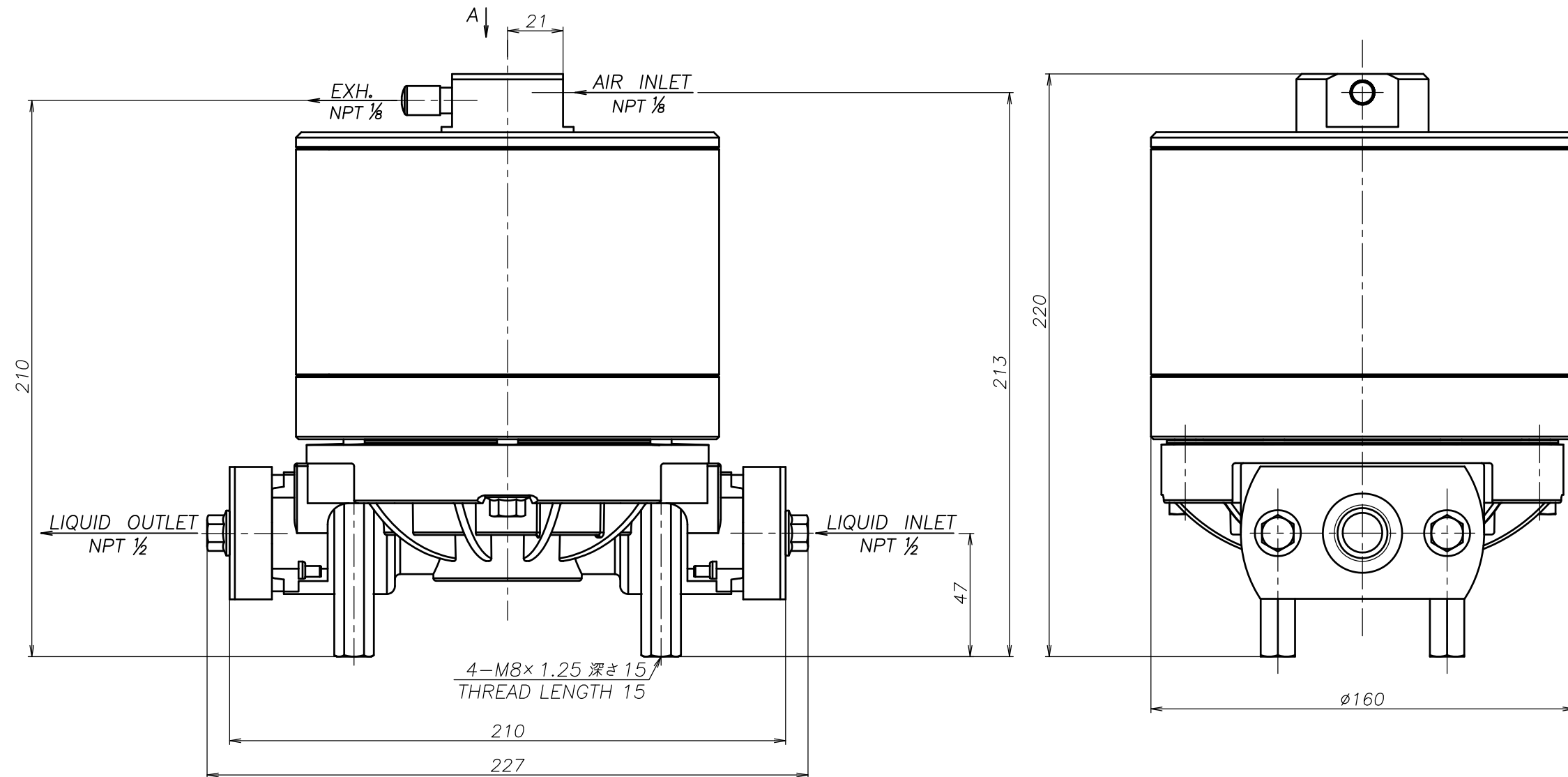


SYM	DWG.NO	CHANGE NO	DATE	REV'D BY
	ALL	1GE0037	'25. 1. 7	O.One



注1) AIR INLET, EXH.は *1 の範囲で固定されています
 NOTE:1) AIR INLET & EXH. port are fixed in the range of *1.

THE DWG. OF:	
ダンパアセンブリ DAMPER ASSEMBLY	
15VWN	
THIRD ANG. PROJ.	DWG.NO.
SCALE Free	1E00319YN-A

APP'D BY	'25. 3.14	T.Terai	THE DWG. OF:
CHECKED BY	'25. 3.14	Y.Takahashi	ダンパアセンブリ DAMPER ASSEMBLY
DRAWN BY	'25. 3.14	J.Tomatsuri	15VTN
YTS JAPAN Co., Ltd		THIRD ANG. PROJ.	DWG.NO.
		SCALE Free	1E00318YN-A