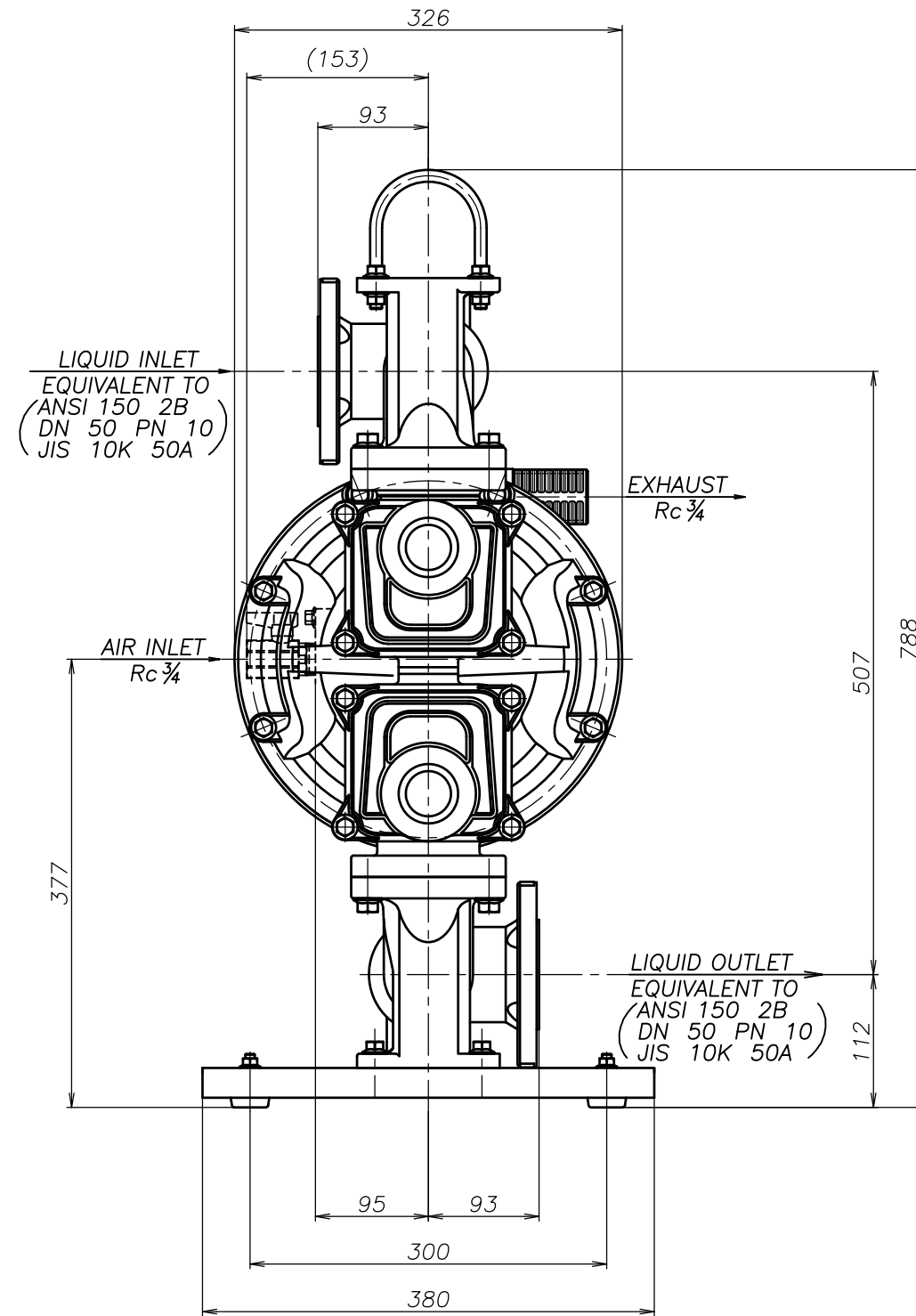
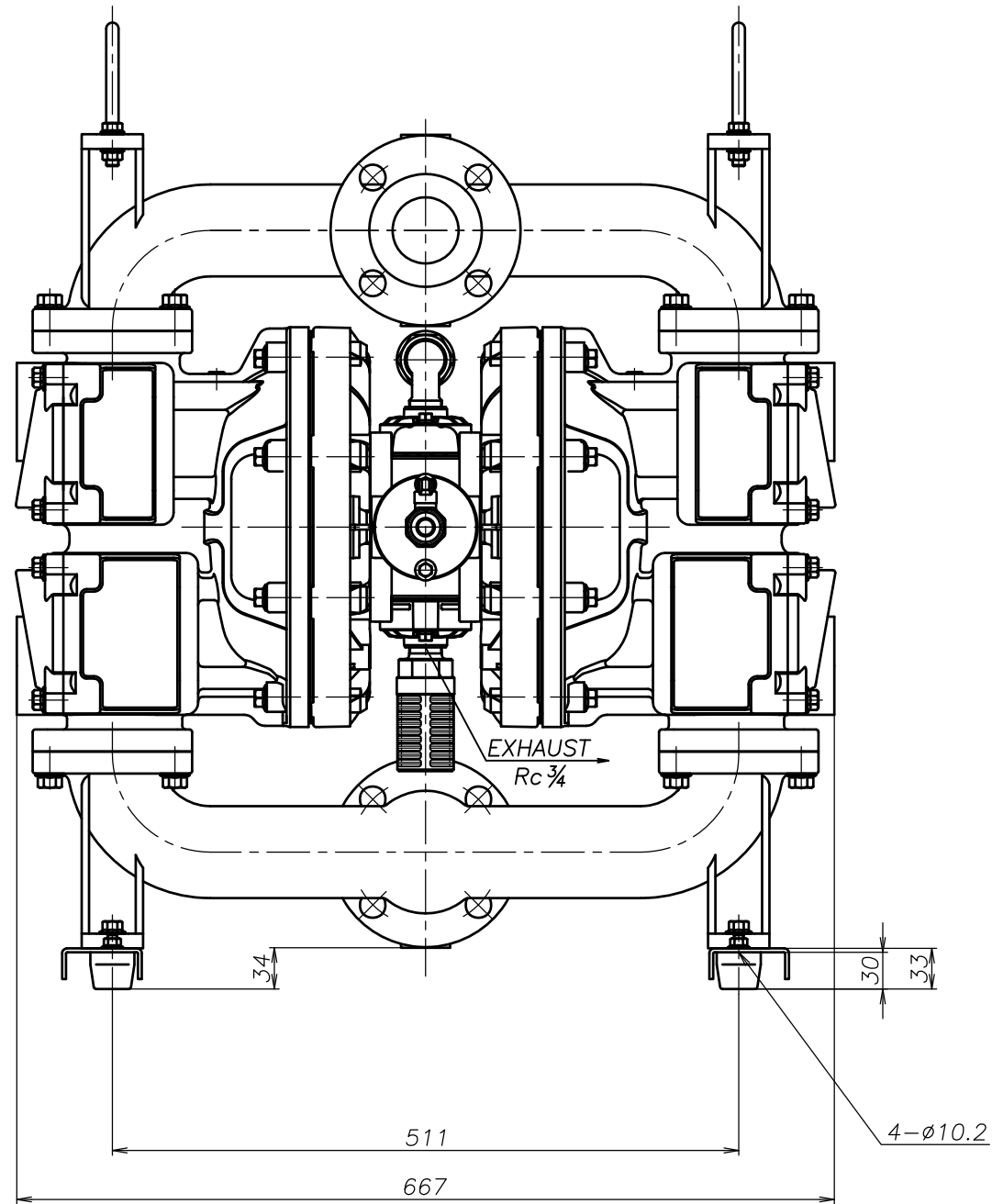


SYM	DWG.NO	CHANGE NO	DATE	REV'D BY
	ALL	1GE0037	'25. 1. 7	O.One



THE DWG. OF:
ダイアフラムポンプアSEMBリー
DIAPHRAGM PUMP ASSEMBLY
500ASJW-M
 THIRD ANG. PROJ. DWG.NO.
 SCALE Free **1M00618YP-A**

APP'D BY	'25. 3.14	T.Terai	THE DWG. OF:	<small>ダイアフラムポンプアSEMBリー</small>
CHECKED BY	'25. 3.14	Y.Takahashi	DIAPHRAGM PUMP ASSEMBLY	
DRAWN BY	'25. 3.14	J.Tomatsuri	500ANJW-M	
YTS JAPAN Co., Ltd			THIRD ANG. PROJ.	DWG.NO.
			SCALE Free	1M00617YP-A