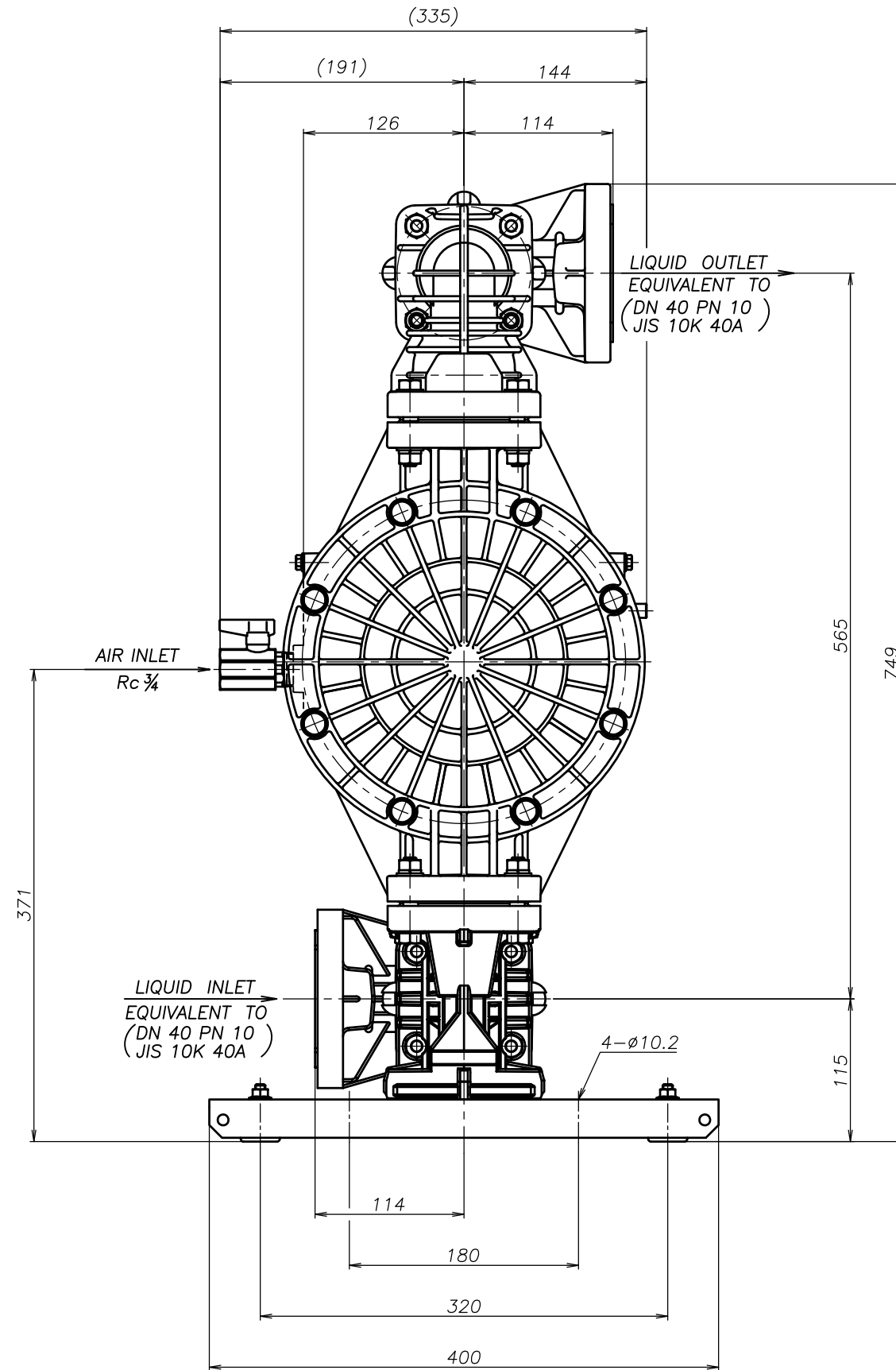
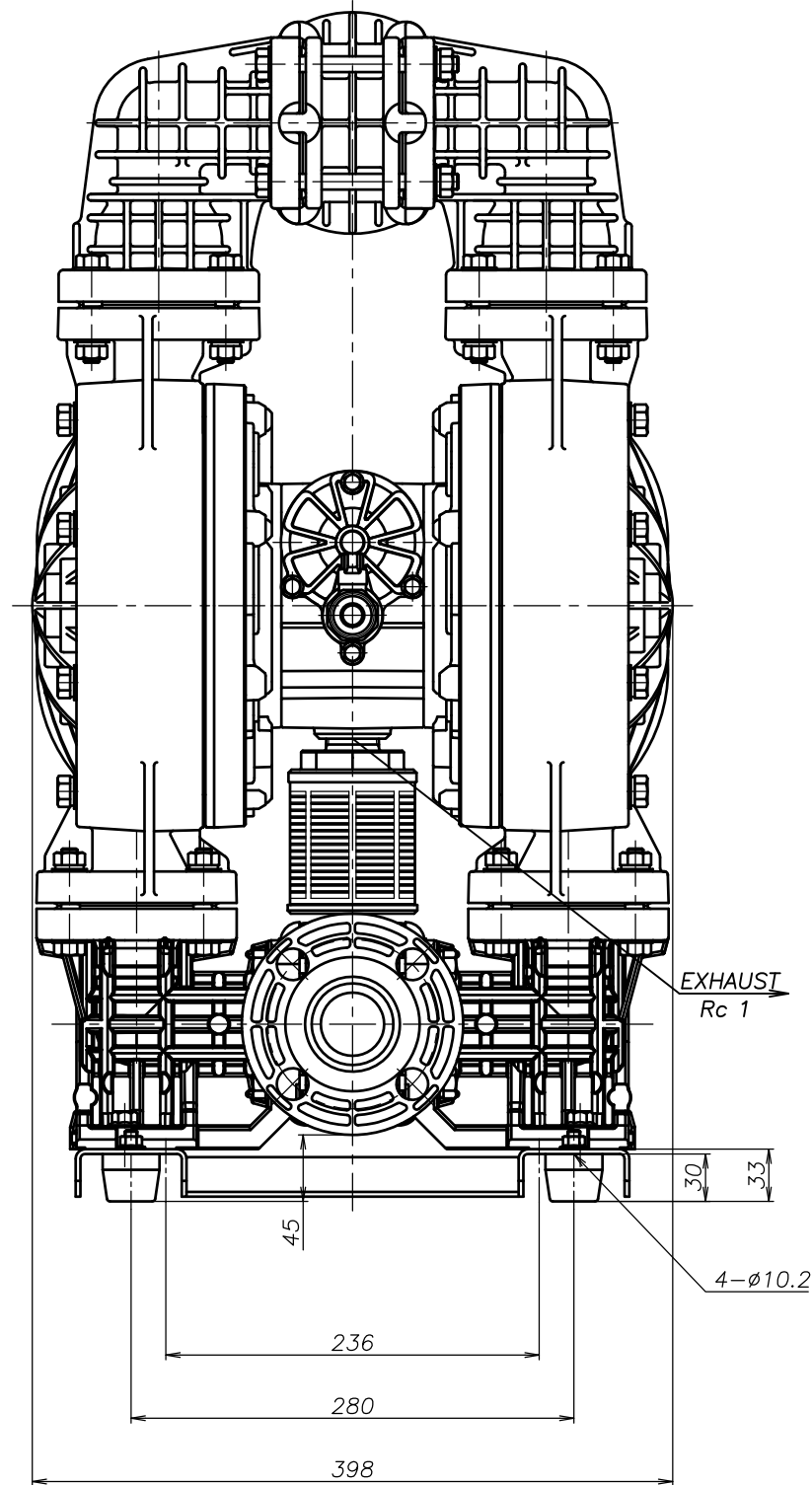


SYM	DWG.NO	CHANGE NO	DATE	REV'D BY
	ALL	1LE0069	'25. 8.28	Y.Takahashi



THE DWG. OF:
ダイヤフラムポンプアセンブリ
DIAPHRAGM PUMP ASSEMBLY
400VWJ
 THIRD ANG. PROJ. DWG.NO.
 SCALE Free **1L00628YP-A**

APP'D BY	'25. 9.29	T.Terai	THE DWG. OF:	<small>ダイヤフラムポンプアセンブリ</small>
CHECKED BY	'25. 9.29	Y.Takahashi	DIAPHRAGM PUMP ASSEMBLY	
DRAWN BY	'25. 9.29	J.Tomatsuri	400VTJ	
YTS JAPAN Co., Ltd			THIRD ANG. PROJ. DWG.NO.	
			SCALE Free	1L00625YP-A