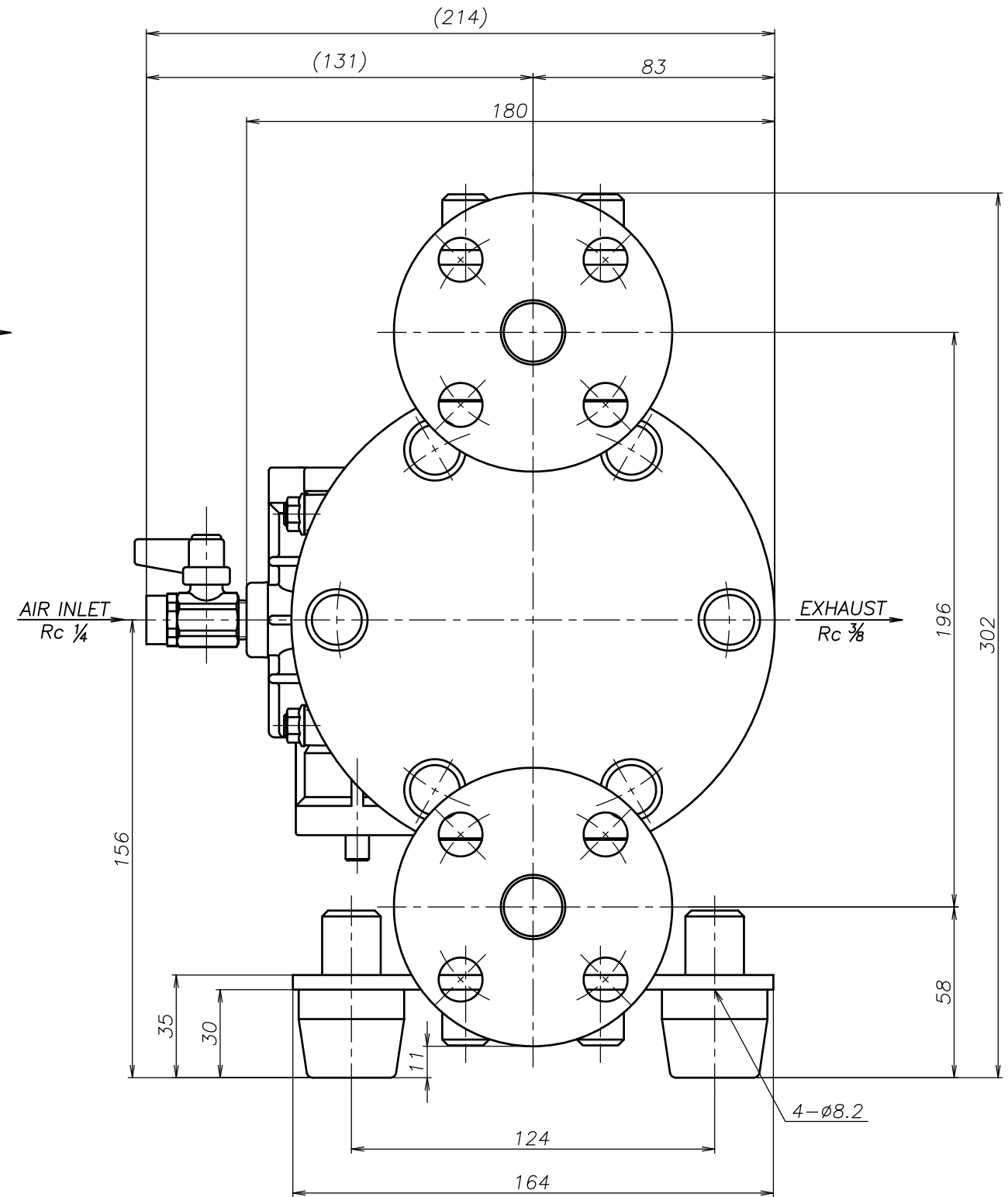
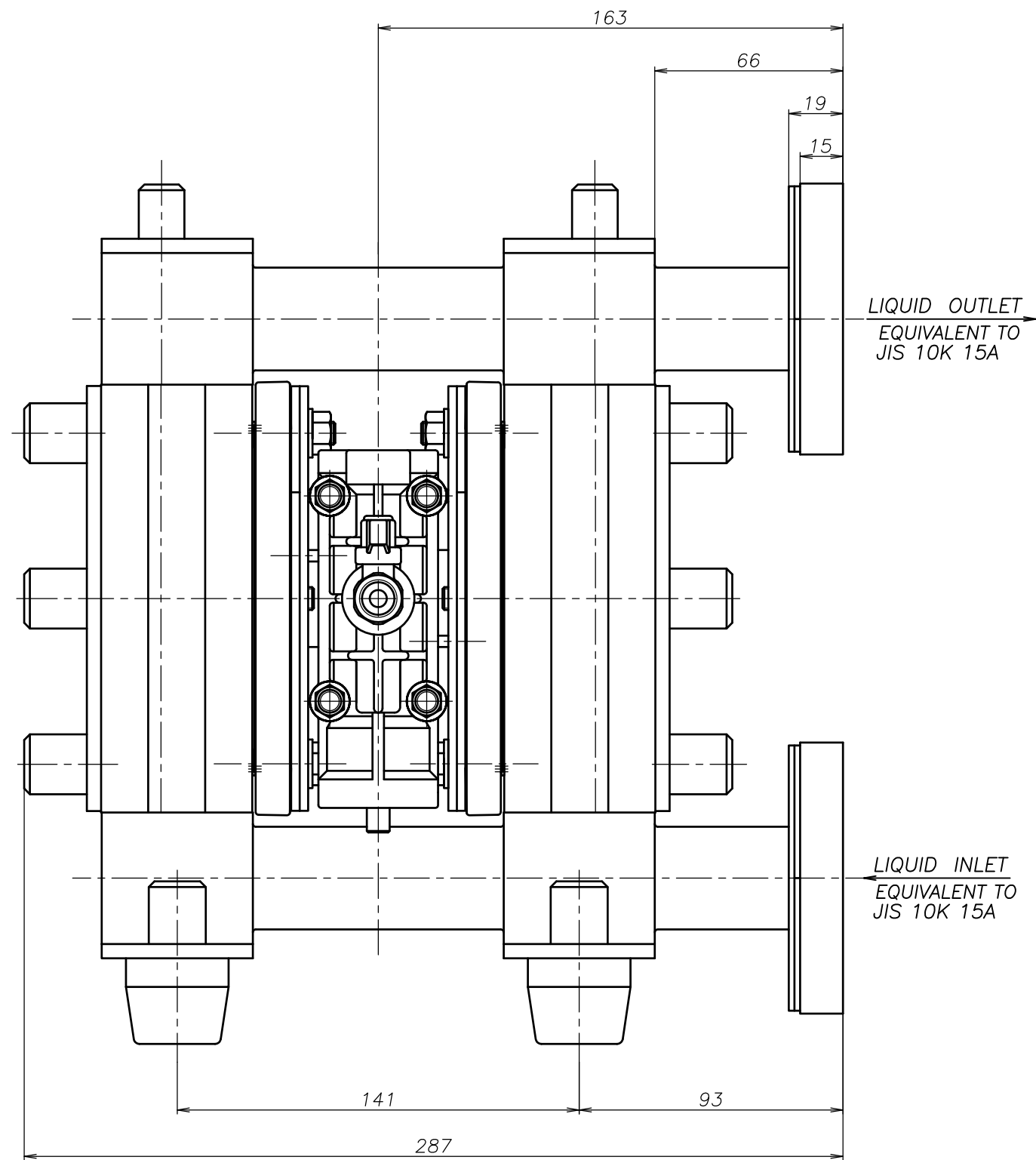


SYM	DWG.NO	CHANGE NO	DATE	REV'D BY
	1E00252YP-A	1GE0037	'25. 1. 7	O.One



APP'D BY	'25. 3.14	T.Terai	THE DWG. OF:	ダイアフラムポンプアセンブリ
CHECKED BY	'25. 3.14	Y.Takahashi	DIAPHRAGM PUMP ASSEMBLY	
DRAWN BY	'25. 3.14	K.Nakada	152TTJ	
YTS JAPAN Co., Ltd			THIRD ANG. PROJ.	DWG.NO.
			SCALE Free	1E00252YP-A