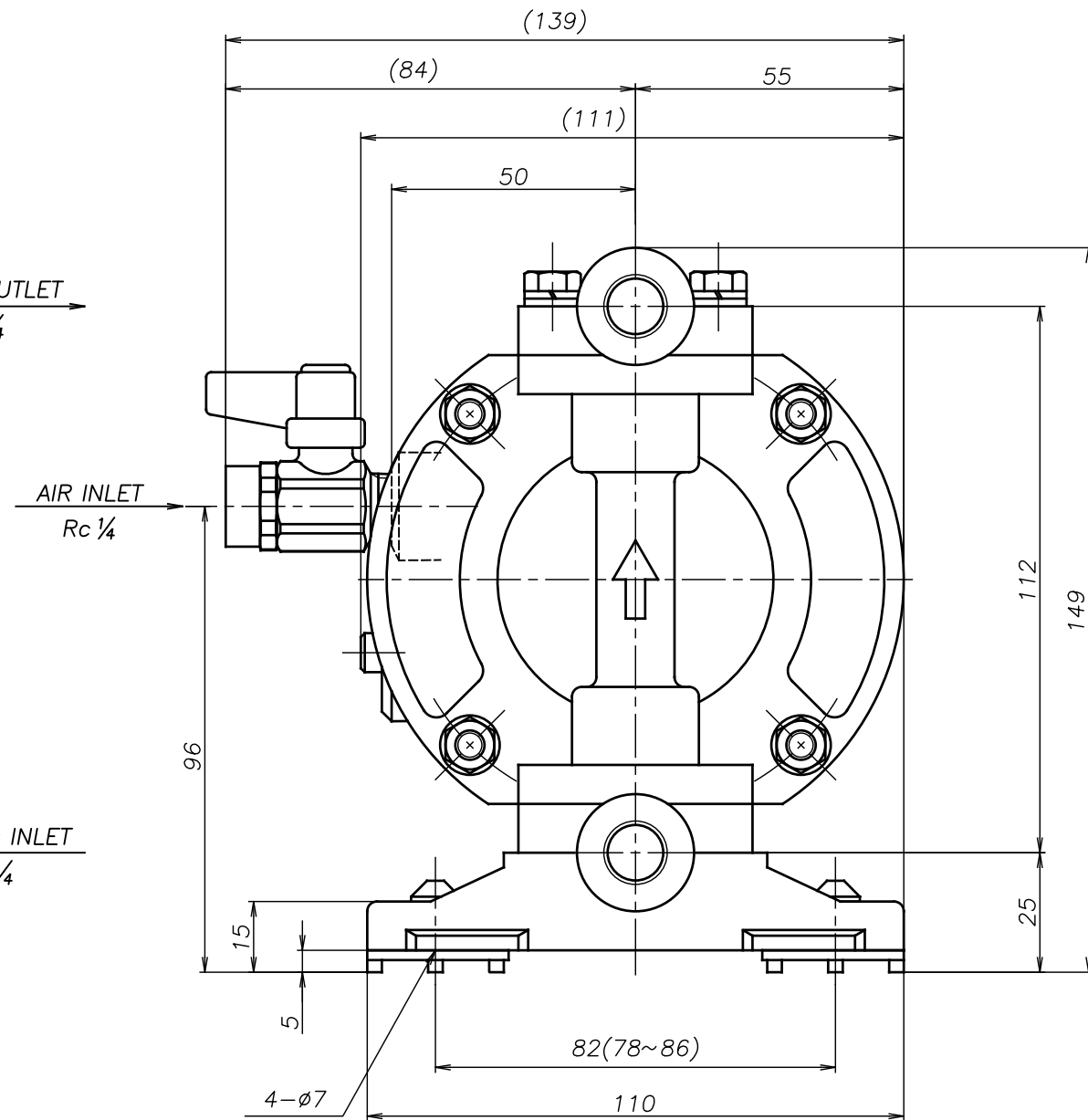
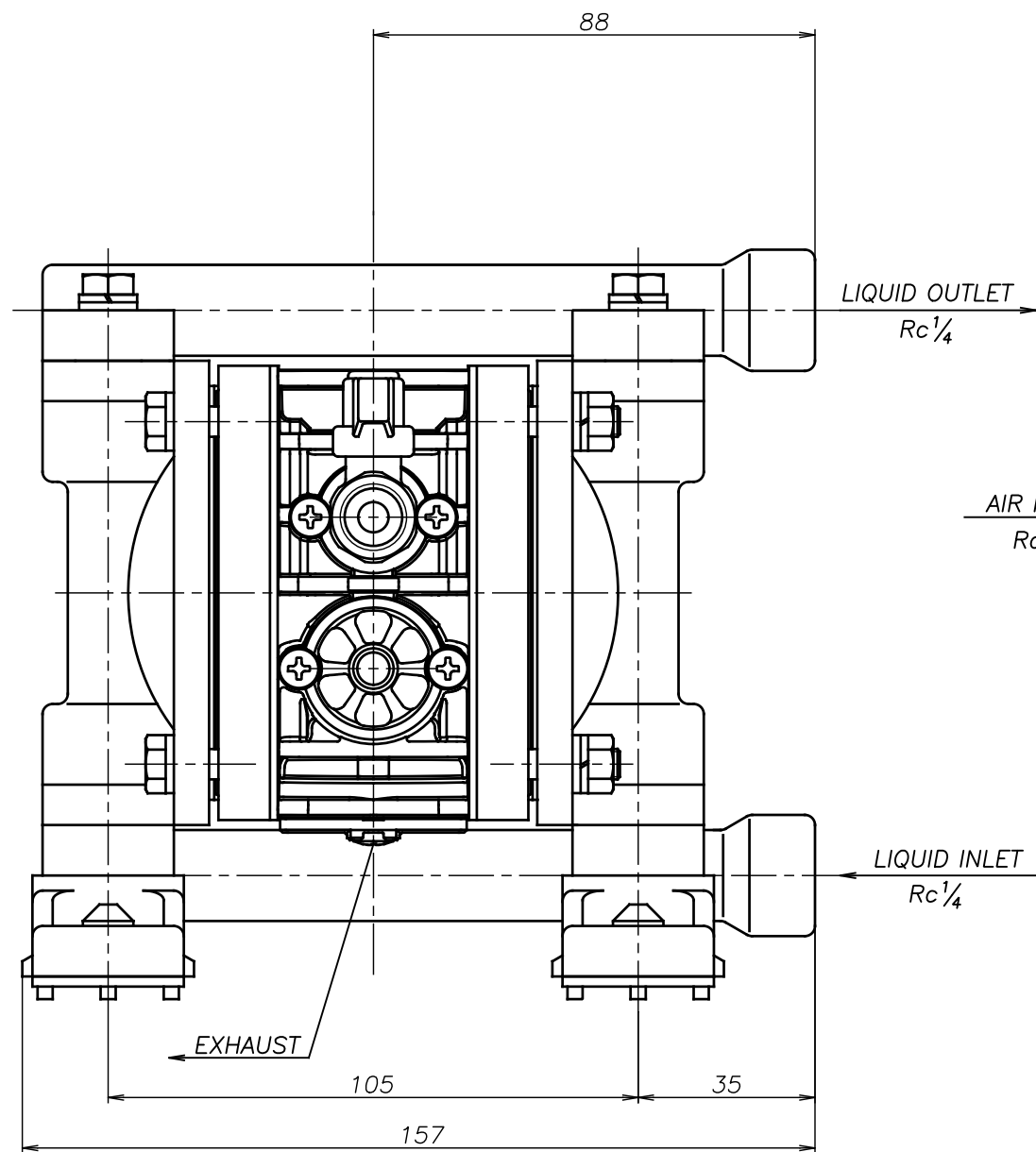


SYM	DWG.NO	CHANGE NO	DATE	REV'D BY
	1C00048YP-A	1CE0045	'21.11.12	K.Nakada



APP'D BY	'21.11.12 S.Murata	THE DWG. OF:	ダイアフラムポンプアセンブリ
CHECKED BY	'21.11.12 K.Nakano	DIAPHRAGM PUMP ASSEMBLY	
DRAWN BY	'21.11.12 K.Nakada	051ST	
<b>YTS</b> Co., Ltd JAPAN		THIRD ANG. PROJ.	DWG.NO.
		SCALE Free	1C00048YP-A